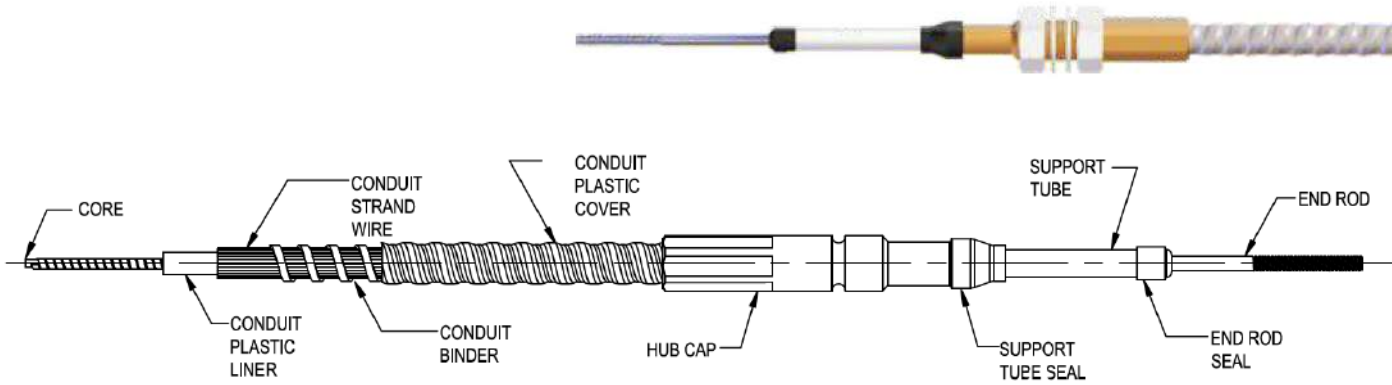


# PUSH PULL CABLES:



# UTILITY CABLES

## TECHNICAL SPECIFICATION

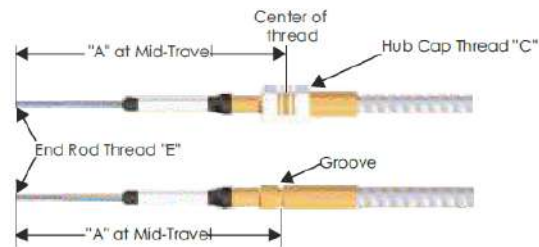


### DIMENSIONAL DATA

ALL CABLES				THREADED CONDUIT END FITTINGS							GROOVED CONDUIT END FITTINGS							
Basic Part Name	Core Size mm	End Rod Thread "E"	Min. Bend Radius mm	Hub Cap Thread "C"	Dimension "A" for Travel Shown in mm						Groove Dimension		Dimension "A" for Travel Shown in mm					
					25	50	75	100	125	150	Radius mm	Root Dia mm	25	50	75	100	125	150
ULD	2.0	M5 x 0.8	75	M12 x 1.5	110	148	187	225	263	301	3.3 (Width)	6.4	93	131	169	207	245	283
VLD	2.7	M5 x 0.8	75	M12 x 1.5	110	148	187	225	263	301	3.3 (Width)	6.4	93	131	169	207	245	283
LD	3.2	M6 x 1.0	100	5/8UNF / M16	117	155	193	231	269	307	4.3	10.4	100	138	176	214	252	290
MD	4.6	M8 x 1.25	150	11/16UNF / M18	128	166	204	242	280	318	4.3	12.0	110	148	186	224	262	300
HD	6.0	M10 x 1.5	175	M20 / M22	144	182	220	258	296	334	5.0	12.7	130	168	206	244	282	320
EHD	7.9	M10 x 1.5	225	M20 / M22	144	182	220	258	296	334	5.0	12.7	130	168	206	244	282	320

**Type T**  
Threaded Conduit End Fitting for bulkhead mounting

**Type G**  
Grooved Conduit End Fitting for mounting with U-bolts or clamps

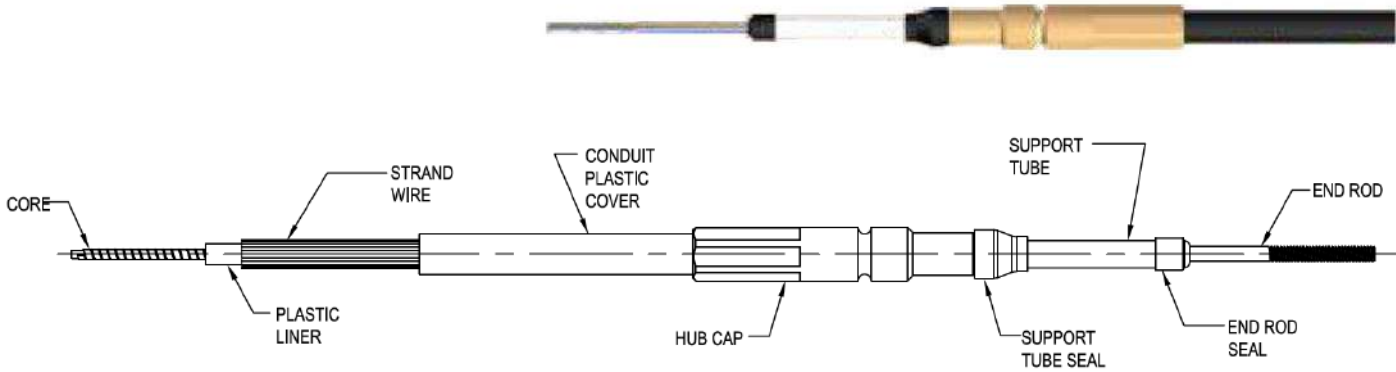


### DESIGN DATA

Basic Part Name	Pull Load Capacity All travels Kgf	Push Load Capacity for Travel Shown in Kgf					Temperature Capability
		50	75	100	125	150	
ULD	35	20	18	15	12	8	-20°C to +80°C
VLD	50	30	27	23	18	12	
LD	100	60	49	40	29	20	
MD	175	100	85	67	52	40	
HD	425	285	243	200	160	125	
EHD	175	100	85	67	52	40	

# COMMERCIAL CABLES

## TECHNICAL SPECIFICATION



### DIMENSIONAL DATA

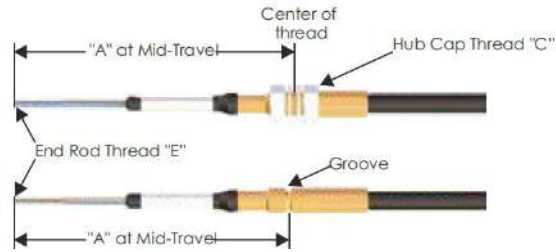
Basic Part Name	ALL CABLES			Hub Cap Thread "C"	THREADED CONDUIT END FITTINGS						GROOVED CONDUIT END FITTINGS		GROOVED CONDUIT END FITTINGS					
	Core Size mm	End Rod Thread "E"	Min. Bend Radius mm		Dimension "A" for Travel Shown in mm						Groove Dimension		Dimension "A" for Travel Shown in mm					
					25	50	75	100	125	150	Radius mm	Root Dia mm	25	50	75	100	125	150
ULD	2.0	M5 x 0.8	125	M12 x 1.5	110	148	187	225	263	301	3.3 (Width)	6.4	93	131	169	207	245	283
VLD	2.7	M5 x 0.8	125	M12 x 1.5	110	148	187	225	263	301	3.3 (Width)	6.4	93	131	169	207	245	283
LD	3.2	M6 x 1.0	175	5/8UNF /M16	117	155	193	231	269	307	4.3	10.4	100	138	176	214	252	290
MD	4.6	M8 x 1.25	225	1 1/16UNF /M18	128	166	204	242	280	318	4.3	12.0	110	148	186	224	262	300
HD	6.0	M10 x 1.5	275	M20 / M22	144	182	220	258	296	334	5.0	12.7	130	168	206	244	282	320
EHD	7.7	M10 x 1.5	325	M20 / M22	144	182	220	258	296	334	5.0	12.7	130	168	206	244	282	320

#### Type T

Threaded Conduit End Fitting for bulkhead mounting

#### Type G

Grooved Conduit End Fitting for mounting with U-bolts or clamps

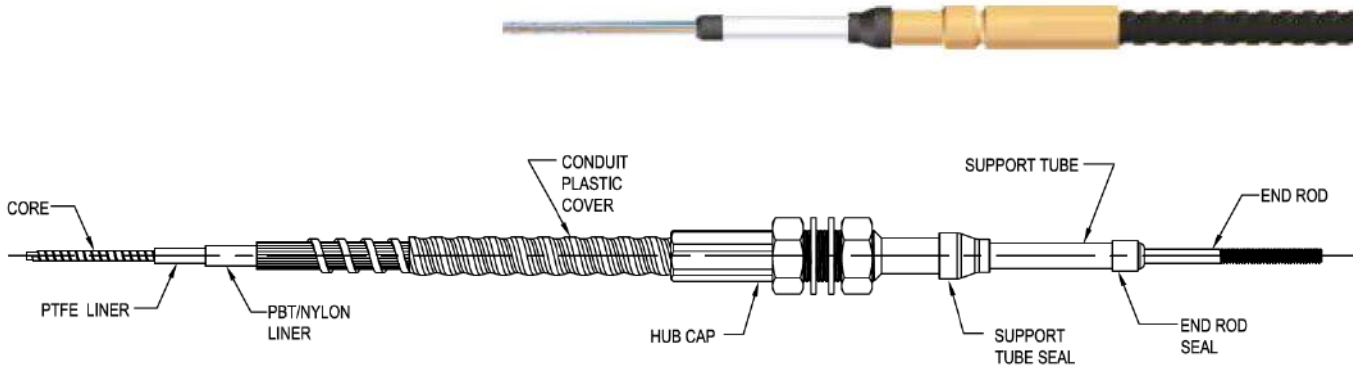


### DESIGN DATA

Basic Part Name	Pull Load Capacity All travels Kgf	Push Load Capacity for Travel Shown in Kgf					Temperature Capability
		50	75	100	125	150	
ULD	35	20	18	15	12	8	-20°C to +80°C
VLD	50	28	24	20	16	10	
LD	100	52	44	36	26	17	
MD	175	88	76	60	46	36	
HD	425	248	216	178	140	104	
EHD	175	88	76	60	46	36	

# SUPERIOR CABLES

## TECHNICAL SPECIFICATION



### DIMENSIONAL DATA

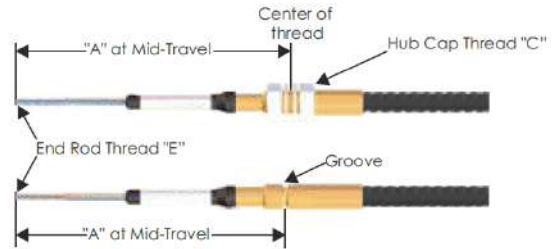
ALL CABLES				THREADED CONDUIT END FITTINGS							GROOVED CONDUIT END FITTINGS							
Basic Part Name	Core Size mm	End Rod Thread "E"	Min. Bend Radius mm	Hub Cap Thread "C"	Dimension "A" for Travel Shown in mm						Groove Dimension		Dimension "A" for Travel Shown in mm					
					25	50	75	100	125	150	Radius mm	Root Dia mm	25	50	75	100	125	150
ULD	2.0	M5 x 0.8	75	M12 x 1.5	110	148	187	225	263	301	3.3 (Width)	6.4	93	131	169	207	245	283
VLD	2.7	M5 x 0.8	75	M12 x 1.5	110	148	187	225	263	301	3.3 (Width)	6.4	93	131	169	207	245	283
LD	3.2	M6 x 1.0	100	5/8UNF /M16	117	155	193	231	269	307	4.3	10.4	100	138	176	214	252	290
MD	4.6	M8 x 1.25	150	11/16UNF /M18	128	166	204	242	280	318	4.3	12.0	110	148	186	224	262	300
HD	6.0	M10 x 1.5	175	M20 / M22	144	182	220	258	296	334	5.0	12.7	130	168	206	244	282	320

#### Type T

Threaded Conduit End Fitting for bulkhead mounting

#### Type G

Grooved Conduit End Fitting for mounting with U-bolts or clamps



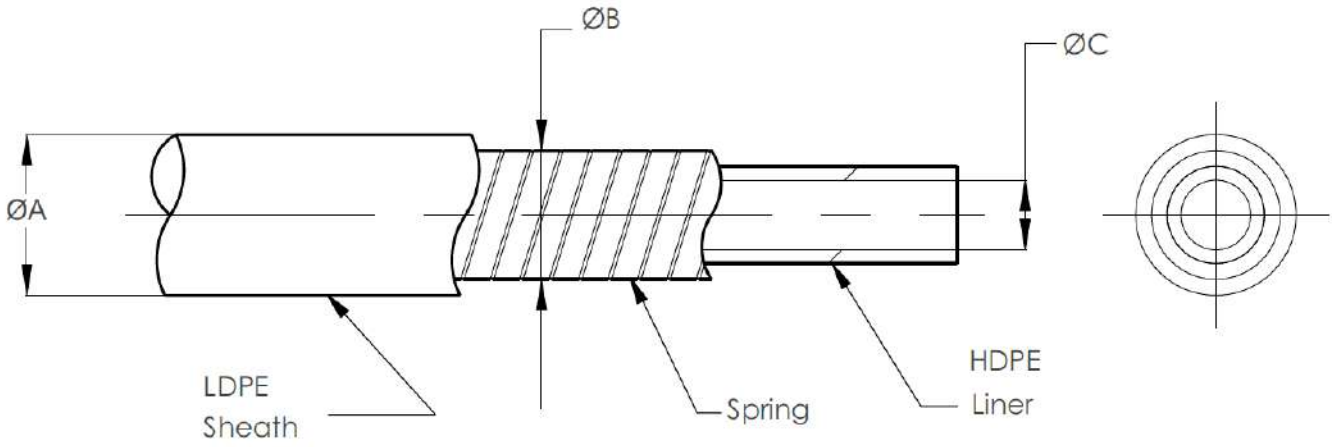
### DESIGN DATA

Basic Part Name	Pull Load Capacity All travels Kgf	Push Load Capacity for Travel Shown in Kgf					Temperature Capability
		50	75	100	125	150	
ULD	35	20	18	15	12	8	-40°C to +120°C
VLD	50	30	27	23	18	12	
LD	100	60	49	40	29	20	
MD	175	100	85	67	52	40	
HD	425	285	243	200	160	125	

# PARK BRAKE CABLES:



# PARK BRAKE CONDUIT



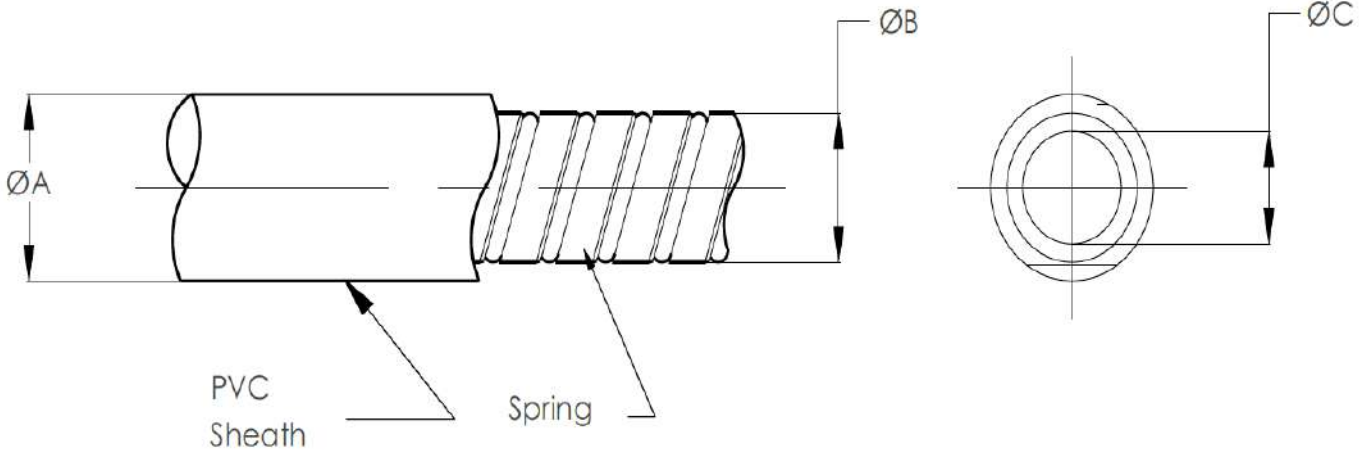
Part No.	Part Description	$\text{ØA} \pm 0.2$	$\text{ØB} \pm 0.2$	$\text{ØC} \pm 0.1$ (Liner I.D.)	Color	Weight Kg./Mtr.	Packing Std.	
							Qty. per Reel	
							Big Reel (mtr.)	Small Reel(mtr.)
XPB-080CD-DFX	800 Series	10.00	8.00	4.00	Black	0.245	---	500
XPB-150CD-DFX	1500 Series	12.30	9.60	5.70	Black	0.340	---	400
XPB-300CD-DFX	3000 Series	15.10	12.20	7.80	Black	0.560	1000	---

## NOTE :

Reel size Big : 750mm Wide X 1000 mm Dia. (Reel wt. : 70 kg Max.)

Reel size Small : 350mm Wide X 750 mm Dia. (Reel wt. : 15 kg Max.)

# TWIN-V CONDUIT

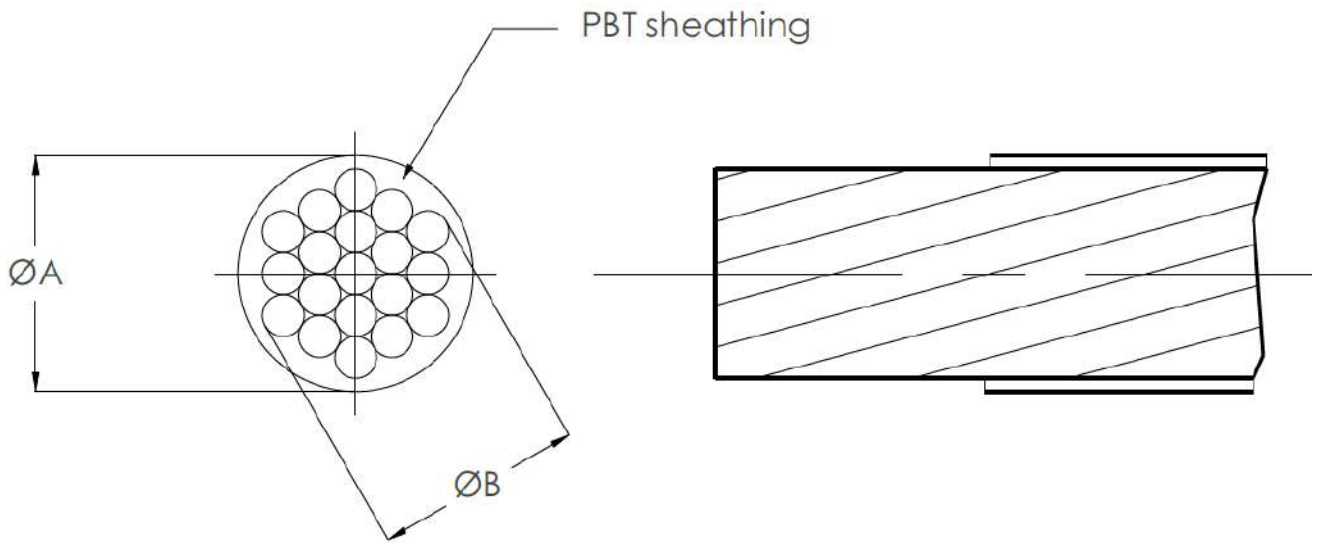


Part No.	Part Description	ØA ±0.2	ØB ±0.2	ØC±0.1 (Liner I.D.)	Color	Weight Kg./Mtr.	Packing Std.
							Qty. per Reel Small Reel (mtr.)
XLTV-110CD-DFX	TWIN-V Outer 11 mm	11.00	9.70	5.25	Black	0.385	500
XLTV-125CD-DFX	TWIN-V Outer 12.5 mm	12.50	11.25	5.70	Black	0.560	500

## NOTE :

Reel size Small : 350mm Wide X 750 mm Dia. (Reel wt. : 15 kg Max.)

# PARK BRAKE INNER



Sn.	Part No.	Ø A	Ø B	Construction
1	XPB-080IN-DFX	3.20	2.50	1X19
2	XPB-150IN-DFX	4.50	3.50	1X19
3	XPB-300IN-DFX	6.00	4.60	1X37

## NOTE :

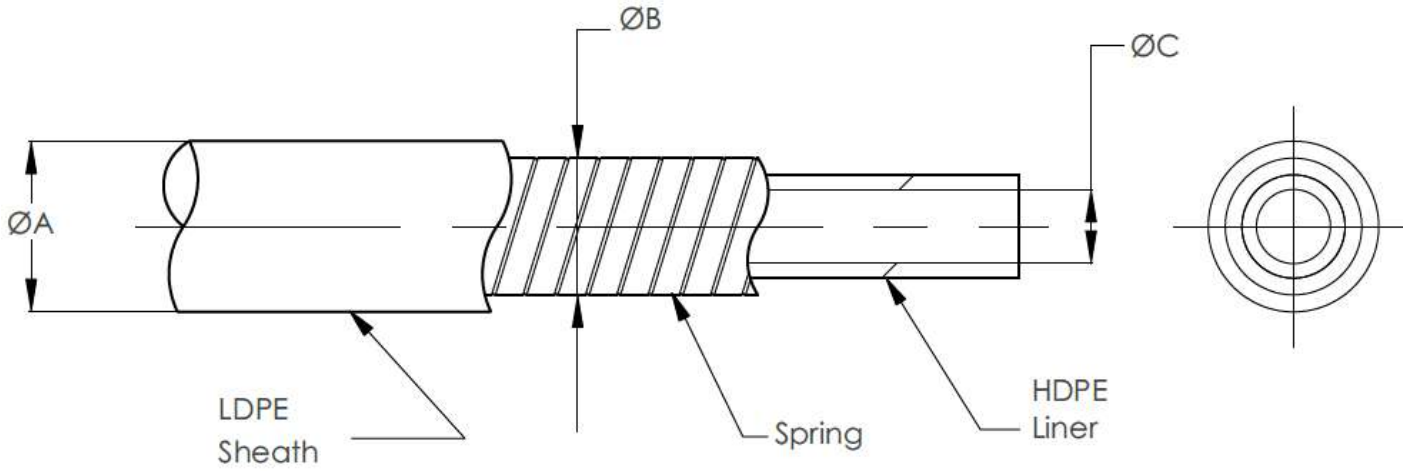
Reel size Small : 350mm Wide X 750mm Dia. (Reel wt. : 15 Kg MAX.).



# PULL ONLY CABLES:



# PULL ONLY CONDUIT

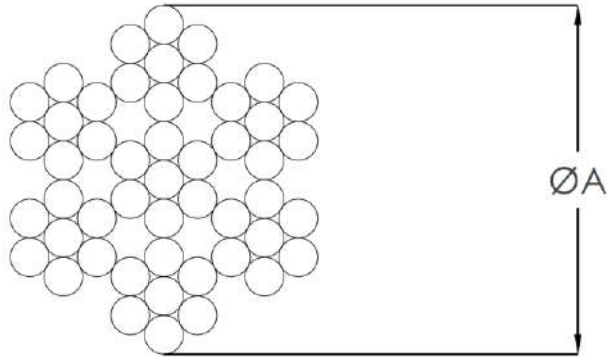


Part No.	Part Description	$\text{ØA}$ $\pm 0.2$	$\text{ØB}$ $\pm 0.2$	$\text{ØC} \pm 0.1$ (Liner I.D.)	Color	Weight Kg./Mtr.	Packing Std.
							Qty. per Reel Small Reel (mtr.)
XPO-060CD-DFX	Outer 6.0mm	6.00	5.00	2.00	Black	0.080	1000
XPO-070CD-DFX	Outer 7.0mm	7.00	6.00	3.20	Black	0.130	1000
XPO-075CD-DFX	Outer 7.5mm	7.50	6.50	3.20	Black	0.145	1000
XPO-090CD-DFX	Outer 9.0mm	9.00	8.00	4.00	Black	0.225	500
XPO-095CD-DFX	Outer 9.5mm	9.50	8.00	4.00	Black	0.240	500
XPO-100CD-DFX	Outer 10.0mm	10.00	8.50	4.70	Black	0.250	500
XPO-108CD-DFX	Outer 10.8mm	10.80	9.50	5.00	Black	0.270	500

## NOTE :

Reel size Small : 350mm Wide X 750 mm Dia. (Reel wt. : 15 kg Max.)

## S.S. WIRE ROPE



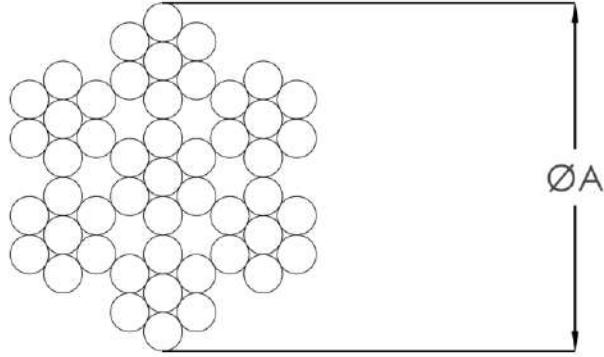
Sn.	Part No.	Ø A ±0.1	Wt./mtr gm/mtr	Qty/Reel Mtr.
1	XLW 7X7-150-DFX-S	1.50	09.0	2000
2	XLW 7X7-200-DFX-S	2.00	23.0	2000
3	XLW 7X7-250-DFX-S	2.50	35.0	2000
4	XLW 7X7-300-DFX-S	3.00	52.0	2000
5	XLW 7X7-400-DFX-S	4.00	90.0	1000

### NOTE :

Reel size Small : 350mm Wide X 750mm Dia. (Reel wt. : 15 Kg MAX.).

# WIRE ROPE INNER

## WIRE ROPE

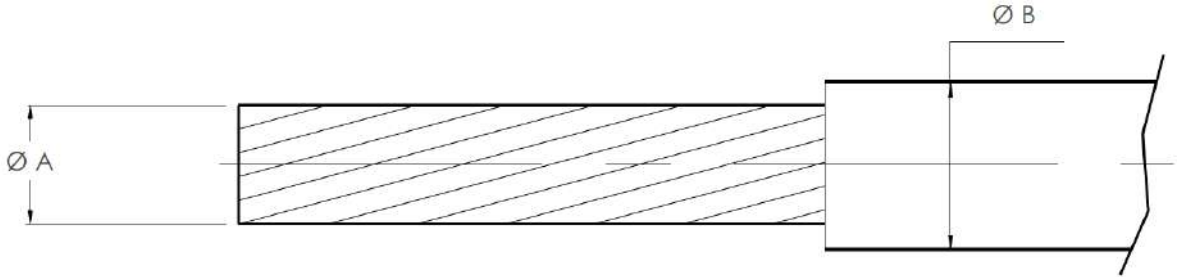


Sn.	Part No.	Ø A ±0.1	Wt./mtr gm/mtr	Qty/Reel Mtr.
1	XLW 7X7-200-DFX	2.00	23.0	2000
2	XLW 7X7-250-DFX	2.50	35.0	2000
3	XLW 7X7-300-DFX	3.00	52.0	2000
4	XLW 7X7-500-DFX	5.00	115.0	1000

### NOTE :

Reel size Small : 350mm Wide X 750mm Dia. (Reel wt. : 15 Kg MAX.).

# COATED WIRE ROPE INNER



Sn.	Part No.	Ø A ±0.1	Ø B ±0.1	Wt./mtr gm/mtr	Qty/Reel Mtr.
1	XLW 7X7-250-DFX-C	2.5	3.2		2000
2	XLW 7X7-300-DFX-C	3.0	3.8		2000

## NOTE :

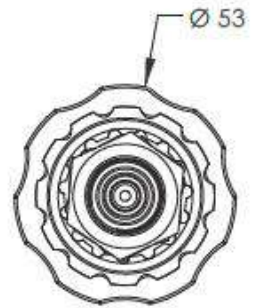
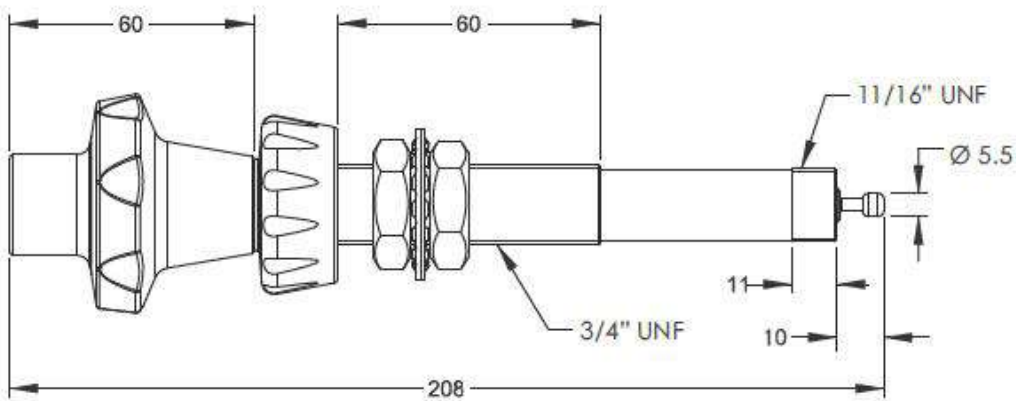
Reel size Small : 350mm Wide X 750mm Dia. (Reel wt. : 15 Kg MAX.).

# CONTROL HEAD CABLES:



# VERNIER CONTROL

ORDERING CODE : XCH-100



- Material : Brass
- Quick Disconnect type.
- Max. Travel = 76mm
- Max. Load = 30 Kgf
- All Dimensions are in mm.
- KNOB COLOR : RED AND BLACK

# TWIST LOCK

## XCH-200

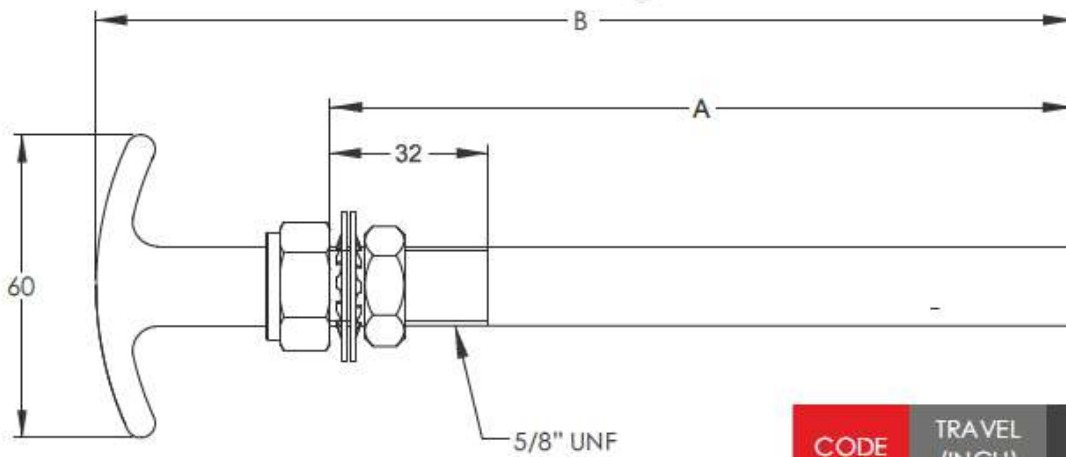
ORDERING CODE : XCH-200- X Y Z



- U - ULD
- V - VLD
- R - RED KNOB
- B - BLACK KNOB

TRAVEL OPTIONS:

- 1 = 3 INCH TRAVEL
- 2 = 4 INCH TRAVEL
- 3 = 5 INCH TRAVEL



CODE	TRAVEL (INCH)	A	B
1	3	150	195
2	4	175	220
3	5	200	245

- Material : Aluminium
- Locking at 1/8 turn in either side.
- Body : AL 6063 T5
- Max. Travel = 3", 4", 5" (INCH).
- Max. Load = 10 Kgf
- All Dimensions are in mm.

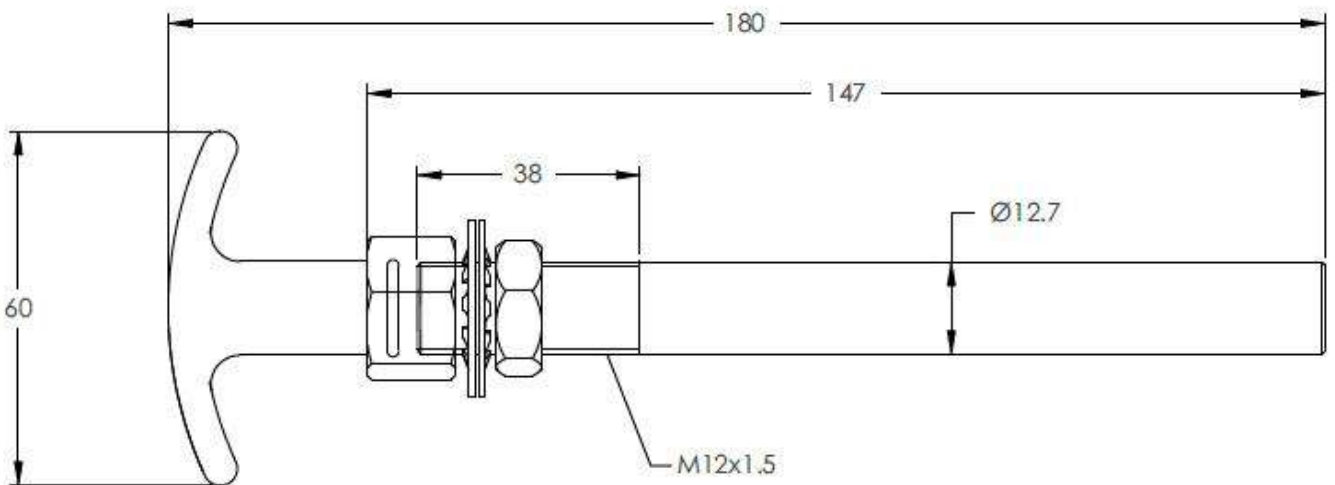


# PULL TO OPERATE

## XCH-300

ORDERING CODE : XCH-300-

R - RED KNOB  
B - BLACK KNOB



- Material : EN1 A
- Max. Travel = 76mm
- Max. Load = 30 Kgf
- All Dimensions are in mm.
- Suitable for VLD Cable.

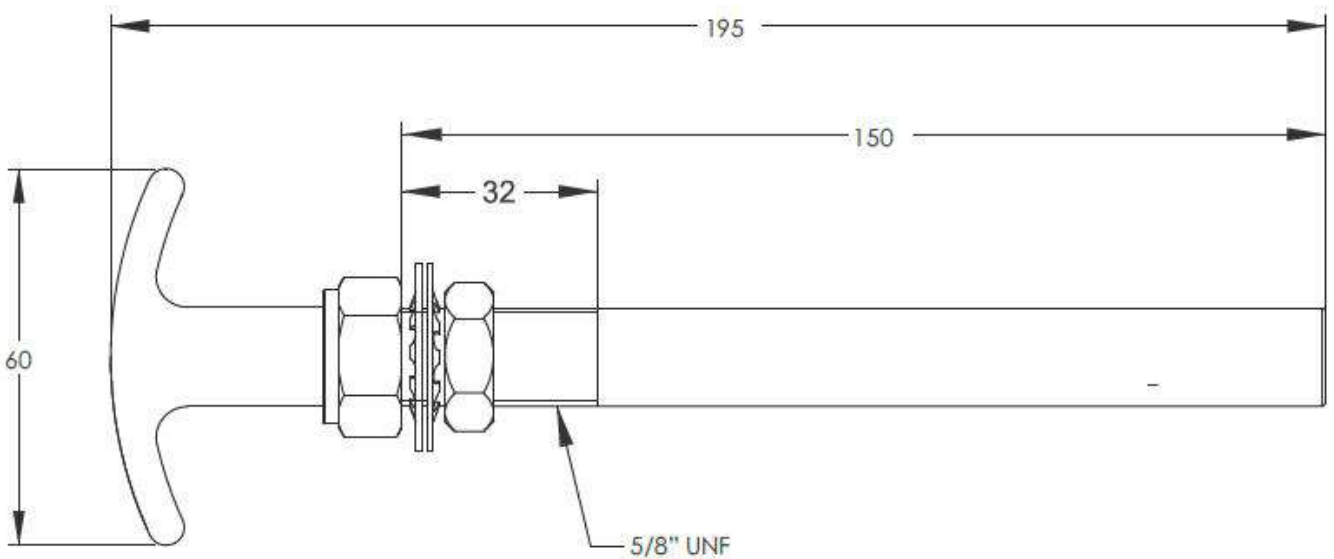
# PULL TO OPERATE

## XCH-400

ORDERING CODE : XCH-400- Y



R - RED KNOB  
B - BLACK KNOB



- Material : Aluminium
- Pull to Operate type.
- Max. Travel = 76mm.
- Max. Load = 30 Kgf
- All Dimensions are in mm.
- Suitable for LD Cable.