

ELECTRONIC CONTROLS



□ XET-100



□ XET-110



□ XET-120



□ XET-130



□ XEP-110



□ XEP-120



□ XEP-900



□ XEA-130



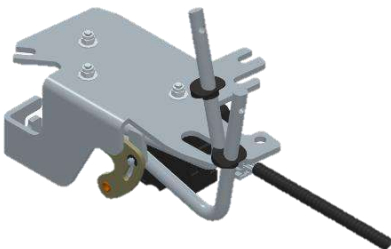
□ XEA-135



□ XEA-140



□ XES-615



□ XEA-150



□ XED-1000



□ XED-1010



□ XER-165



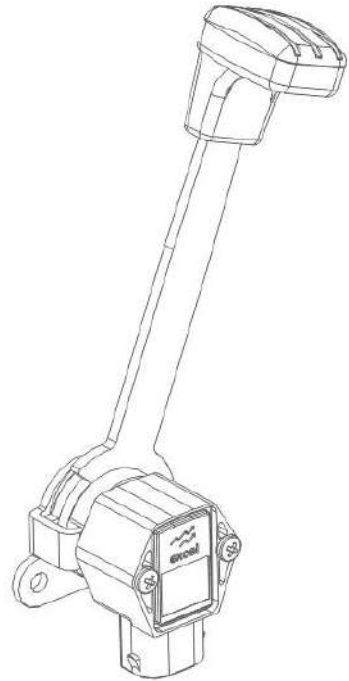
□ XER-170



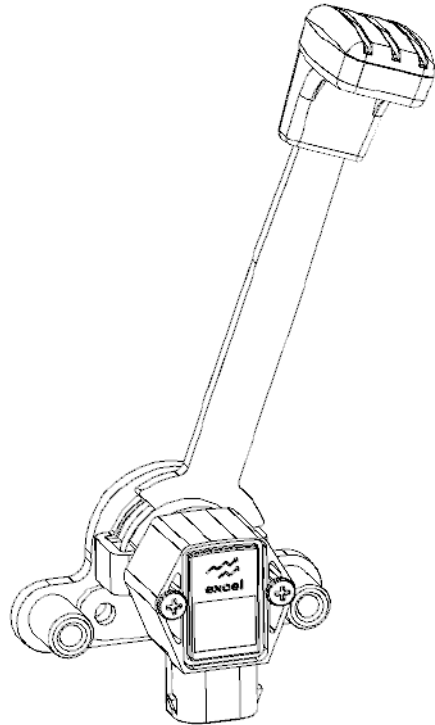
□ XEPS



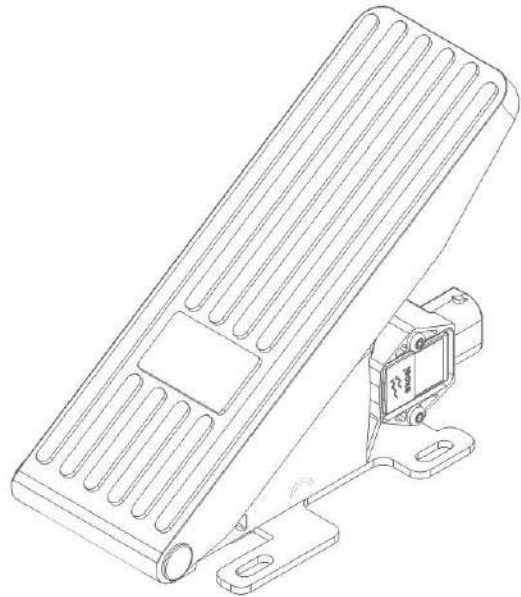
□ XEA-145



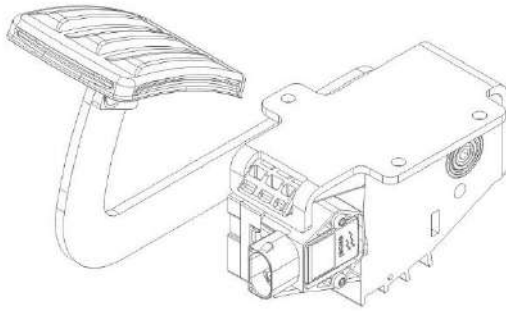
- **Side mount direct drive** throttle controls.
- Lever is available in **steel** with **black CED coating** and **Stainless steel**.
- Infinite holding position available through **precise friction control**.
- **Easy to use in combination** with throttle pedal or throttle position sensor.
- **Several options of lever** are available.
- **Travel angle** is **45 deg**.
- **Temperature** range: **-40 to +85 deg C**.
- **IP Rating**: 69/**69K**
- **Lever with IVS** option **1.15 V** and **0.75 V** is available.
- Output Signals: **Dual analog, Single Analog, Analog +IVS**.
- Connector: **AMP 6 PIN**.
- Tested as per:
EN60068/ISO13766/ISO11451/IEC60068/IEC60529



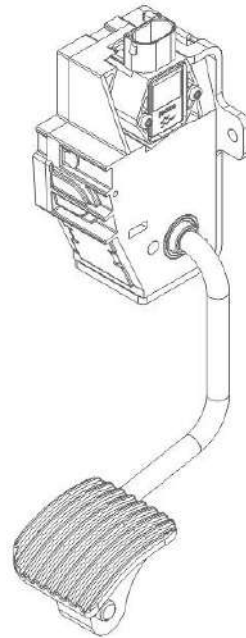
- **Side mount direct drive** throttle controls.
- Lever is available in **steel** with **black CED coating** and **Stainless steel**.
- Infinite holding position available through **precise friction control**.
- **Easy to use in combination** with throttle pedal or throttle position sensor.
- **Several options of lever** are available.
- **Travel angle** is **45 deg**.
- **Temperature** range: **-40 to +85 deg C**.
- **IP Rating**: 69/**69K**
- **Lever with IVS** option **1.15 V** and **0.75 V** is available.
- Output Signals: **Dual analog, Single Analog, Analog +IVS**.
- Connector: **AMP 6 PIN**.
- Tested as per:
EN60068/ISO13766/ISO11451/IEC60068/IEC60529



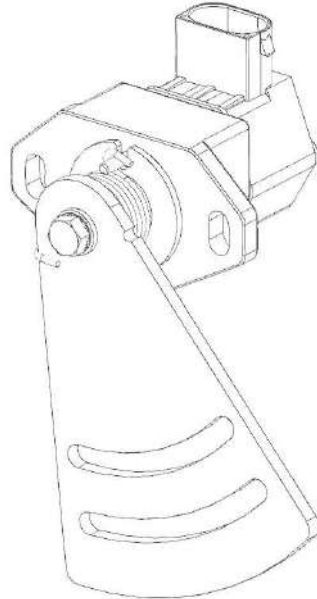
- Floor mounted throttle pedal.
- Footrest and molded parts in **PA66-GF30**.
- Available **with or without kickdown**.
- **Easy to use in combination** with throttle lever or throttle position sensor.
- **Different options of mounting bracket** are available.
- **Travel angle is 17 deg.**
- **Two built in springs.**
- **Footrest position** available: **33 deg/45 deg/ 51 deg.**
- **Temperature** range: **-40 to +85 deg C.**
- **IP** Rating: 69/**69K**
- **Pedal with IVS** option **1.15 V** and **0.75 V** is available.
- Output Signals: **Dual analog, Single Analog, Analog + IVS.**
- Connector: **AMP 6 PIN.**
- Tested as per:
EN60068/ISO13766/ISO11451/IEC60068/IEC60529
- **Mounting bracket** can be **customized.**



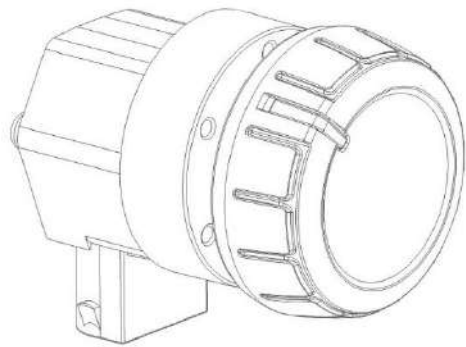
- Under floor throttle pedal.
- Molded parts in **PA66-GF30**.
- **Standard mounting bracket is black powder coated** and the **lever can be black or grey powder coated**.
- **Easy to use in combination** with throttle lever or throttle position sensor.
- **Several options of mounting brackets** are available.
- **Travel angle is 17 deg.**
- **Two built in springs.**
- **Temperature** range: **-40 to +85 deg C.**
- **IP Rating: 69/69K**
- **Pedal with IVS** option **1.15 V** and **0.75 V** is available.
- Output Signals: **Dual Analog, Single Analog, Analog +IVS.**
- Connector: **AMP 6 PIN.**
- **Mounting brackets** can be **customized.**
- Pedals are available with **steel and plastic pads.**
- Tested as per:
EN60068/ISO13766/ISO11451/IEC60068/IEC60529
- Pedal **lever shape can be customized** and **can be mounted on either side of the pedal** housing.



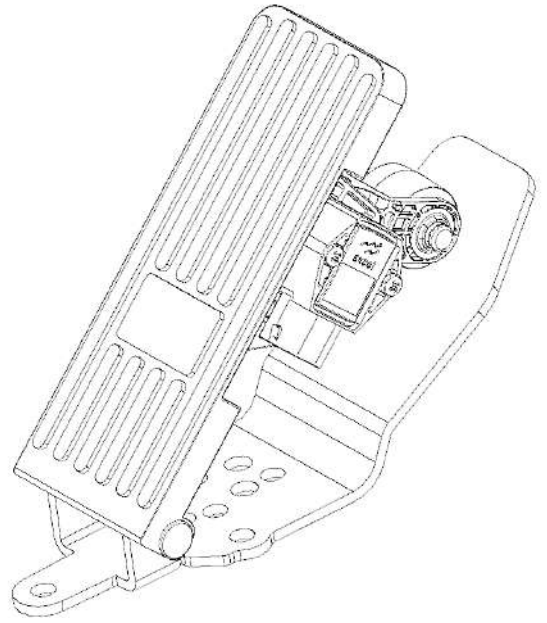
- Wall mounted Suspended throttle pedal.
- Footrest and molded parts in **PA66-GF30**.
- **Standard mounting bracket is black powder coated and the lever can be black or grey powder coated.**
- **Easy to use in combination** with throttle lever or throttle position sensor.
- **Several options of mounting brackets** are available.
- **Travel angle is 22 deg.**
- **Two built in springs.**
- **Temperature** range: **-40 to +85 deg C.**
- **IP** Rating: **69/69K**
- **Pedal with IVS** option **1.15 V** and **0.75 V** is available.
- Output Signals: **Dual analog, Single Analog, Analog + IVS.**
- Connector: **AMP 6 PIN.**
- **Mounting brackets** can be **customized**
- Pedals are available with **steel and plastic pads.**
- Tested as per:
EN60068/ISO13766/ISO11451/IEC60068/IEC60529
- Pedal **lever shape can be customized** and **can be mounted on either side of the pedal** housing.



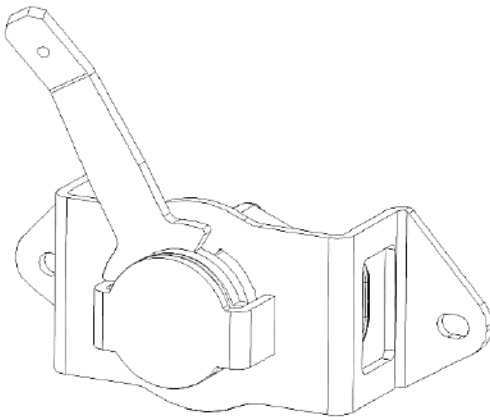
- **Side mounted** throttle position sensor.
- Molded parts in **plastic material**.
- **Lever bracket is in steel material** and features with **ZN coating**
- TPS body with **mounting flange is in die cast aluminum**.
- **Easy to use in combination** with throttle lever or throttle pedal.
- **Several options of lever bracket** is available.
- **Travel angle is 42 deg.**
- **One spring is available.**
- **Temperature** range: **-40 to +85 deg C.**
- **IP** Rating: 69/**69K**
- Output Signals: **Dual analog, Single Analog, Analog + IVS.**
- Connector: **AMP 6 PIN.**
- Tested as per:
EN60068/ISO13766/ISO11451/IEC60068/IEC60529



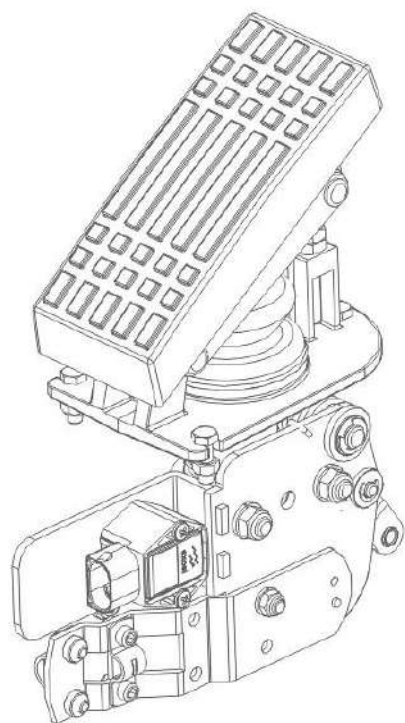
- **Top mount /Side mount** direct drive rotary controls.
- Knob and molding base is **PA66-GF30**.
- The units are **available with friction control** or **multiple detent positions**.
- **Detent option** at every **10 deg** is available.
- **Easy to use in combination** with throttle pedal or throttle position sensor.
- **Several options of knobs** are available.
- **Travel angle** is **90 deg**.
- **Temperature** range: **-40 to +85 deg C**.
- **IP Rating**: 69/**69K**
- Output Signals: **Dual analog, Single Analog, Analog + IVS**.
- Connector: **AMP 6 PIN**.
- Tested as per:
EN60068/ISO13766/ISO11451/IEC60068/IEC60529



□XEP-120

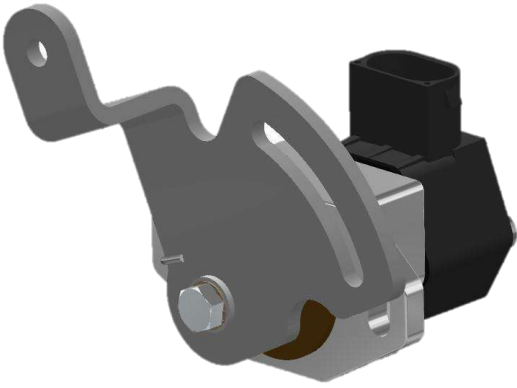


□XET-120

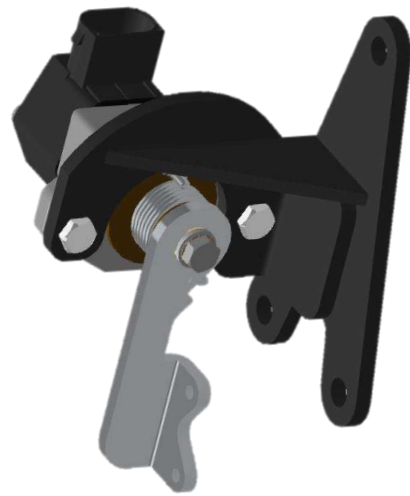


□XEP-900

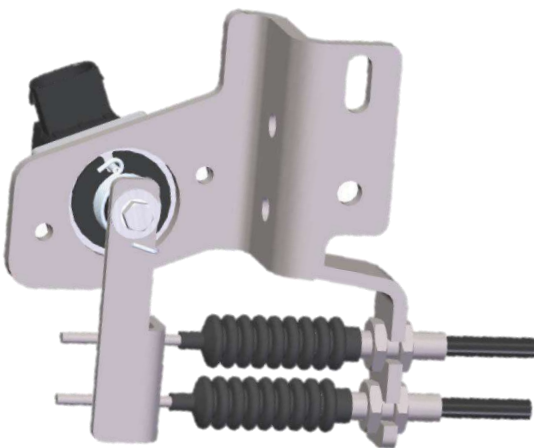
CUSTOMISED TPS SOLUTION



TPS WITH BEND PROFILE ARM & LESS ANGULAR MOVEMENT.



TPS WITH BEND ARM AND WITH MOUNTING BRACKET



TPS WITH MOUNTING BRACKET & CONTROL CABLE KIT.