

FOOT PEDALS:



□ XFP-220



□ XFP-220 XT



□ XFP-222



□ XFP-224



□ XFP-224 XT



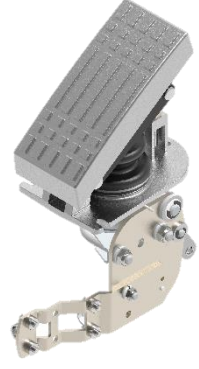
□ XFP-230



□ XFP-330



□ XFP-350



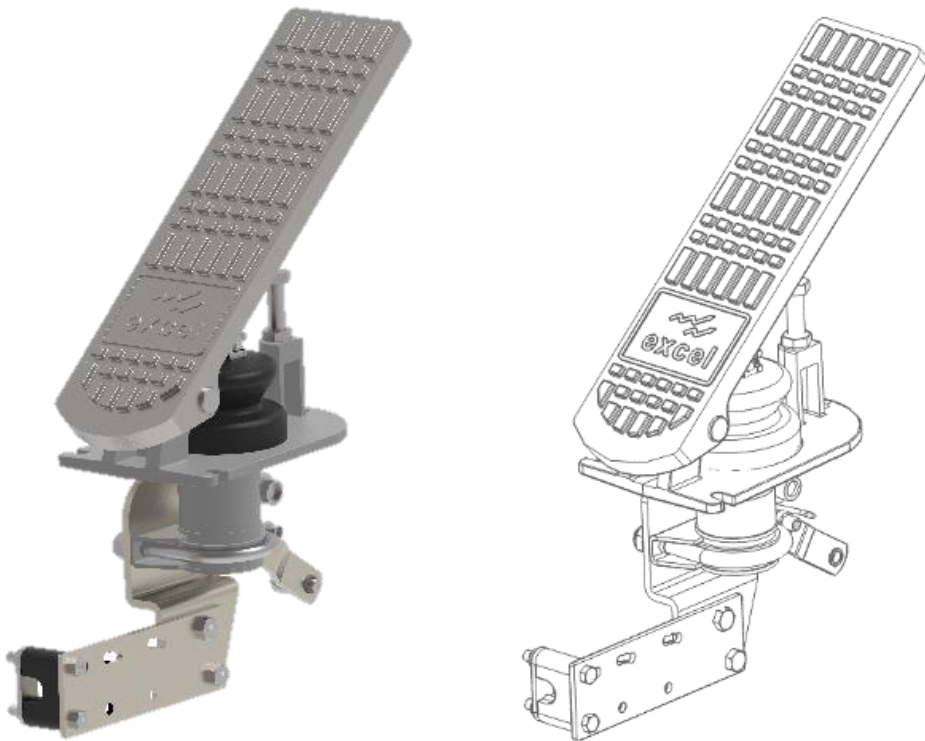
□ XFP-400



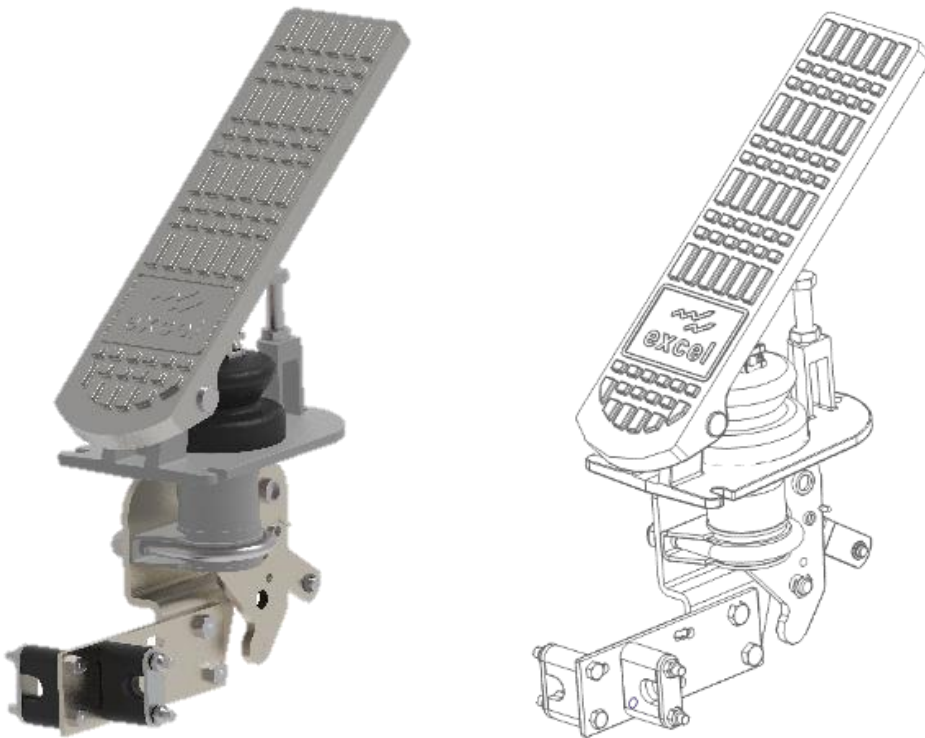
□ XFP-450



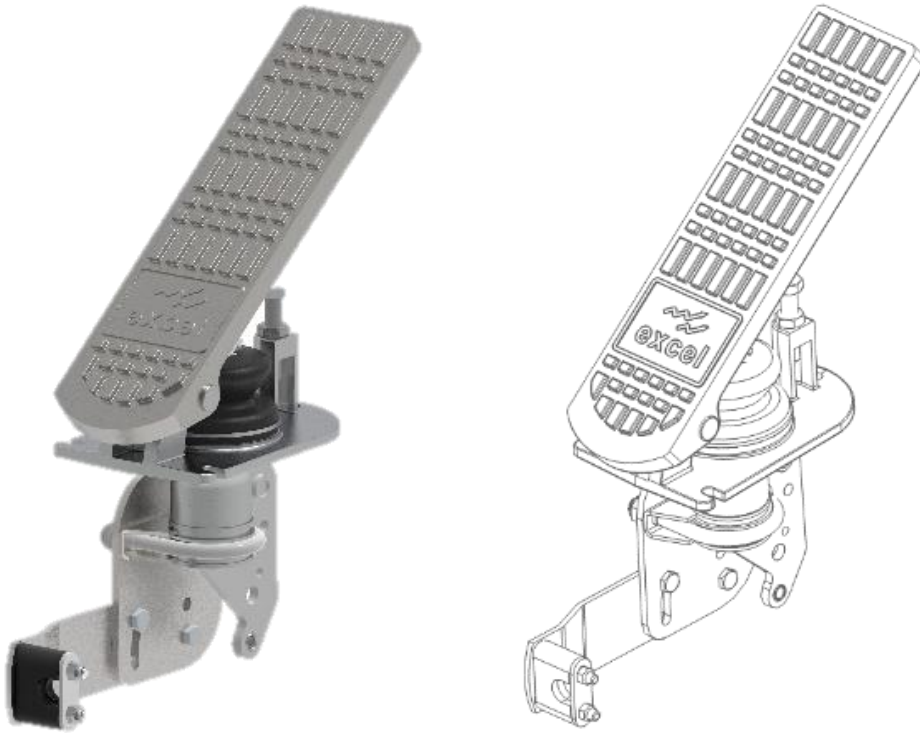
□ XFP-455



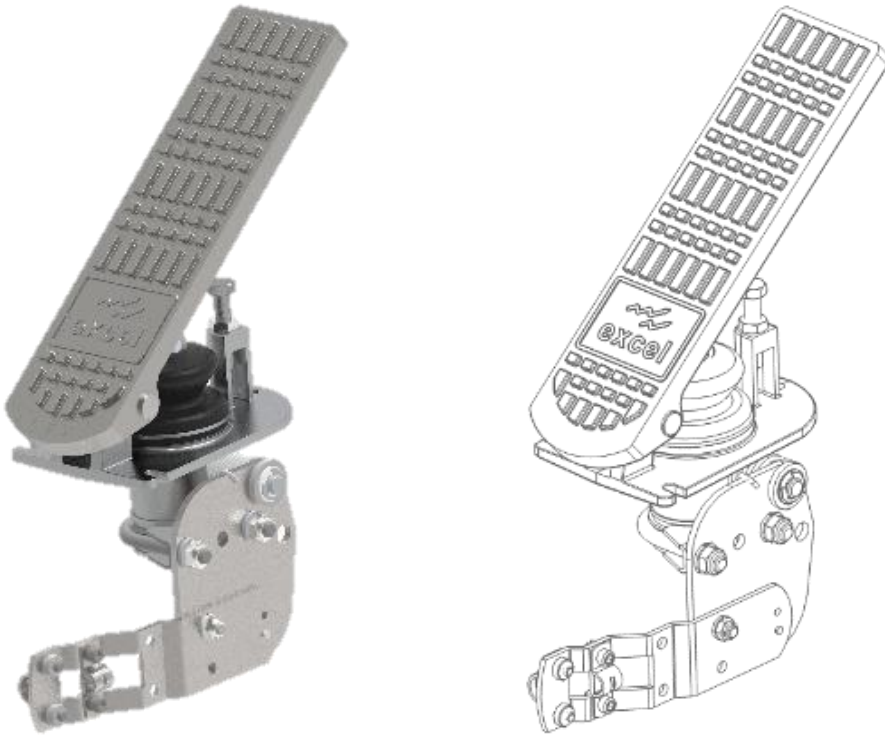
- ❑ Aluminum Alloy Accelerator Pedal.
- ❑ 34° of pedal travel equals 54mm of travel.
- ❑ Adjustable pedal angle.
- ❑ For use with single pull only throttle Cable.
- ❑ Idle return torsion spring.
- ❑ Throttle Cable exit adjustable through 360° .
- ❑ Cable mounting bracket adjustable through 30° .



- ❑ Aluminum Alloy Accelerator Pedal.
- ❑ 34° of pedal travel equals 54mm of travel.
- ❑ Adjustable pedal angle.
- ❑ Throttle link & bracket to connect a hand throttle cable.
- ❑ Idle return torsion spring.
- ❑ Throttle Cable exit adjustable through 360° .
- ❑ Cable mounting bracket adjustable through 30° .

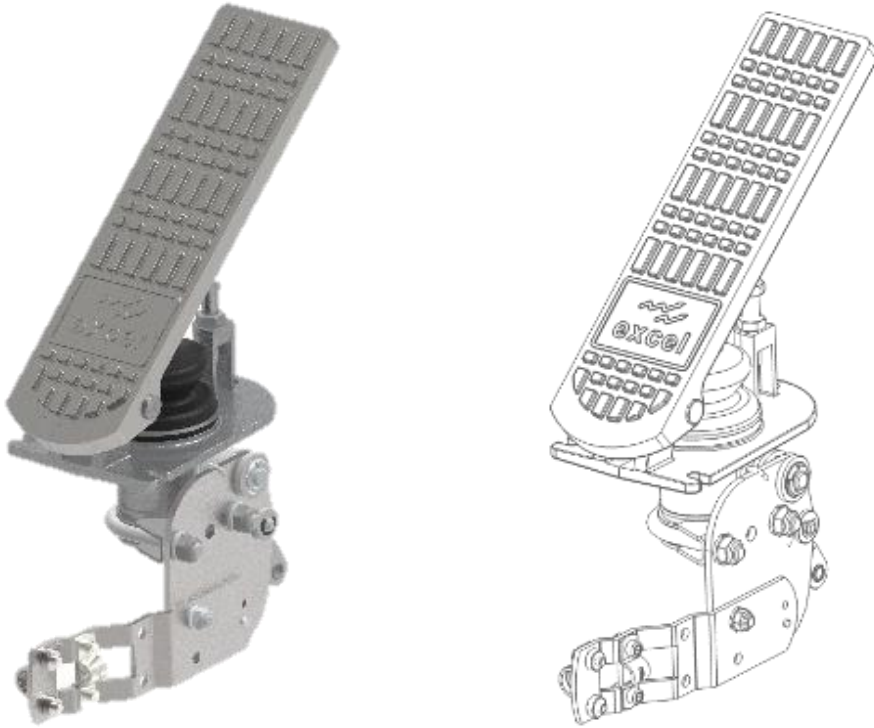


- Aluminum Alloy Accelerator Pedal.
- 23° of pedal travel equals 30mm of stroke.
- Adjustable pedal angle.
- Throttle link & bracket to connect a hand throttle cable.
- Idle return torsion spring.
- Throttle Cable exit adjustable through 360° .
- Cable mounting bracket adjustable through 30° .

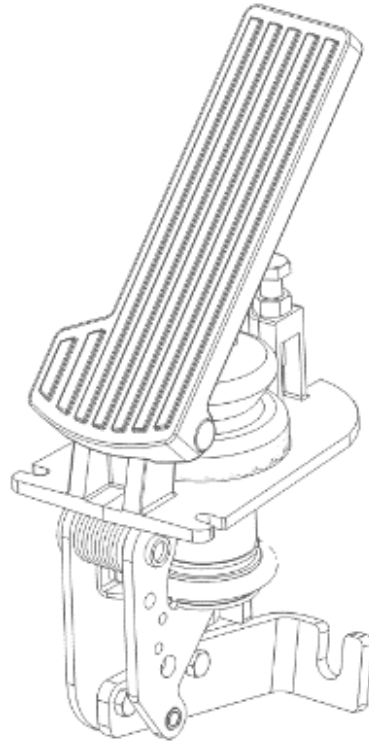


- ❑ Aluminum Alloy Accelerator Pedal.
- ❑ 18° of pedal travel equals 30mm of stroke.
- ❑ Adjustable pedal angle.
- ❑ Throttle link & bracket to connect a hand throttle cable
- ❑ Idle return torsion spring.
- ❑ Throttle Cable exit adjustable through 360° .
- ❑ Cable mounting bracket adjustable through 30° .

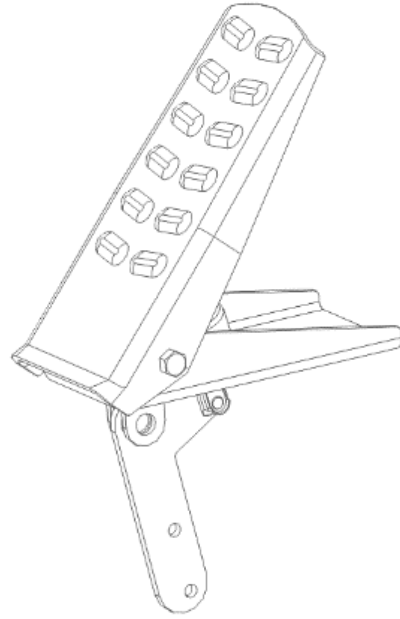
XFP 224 XT



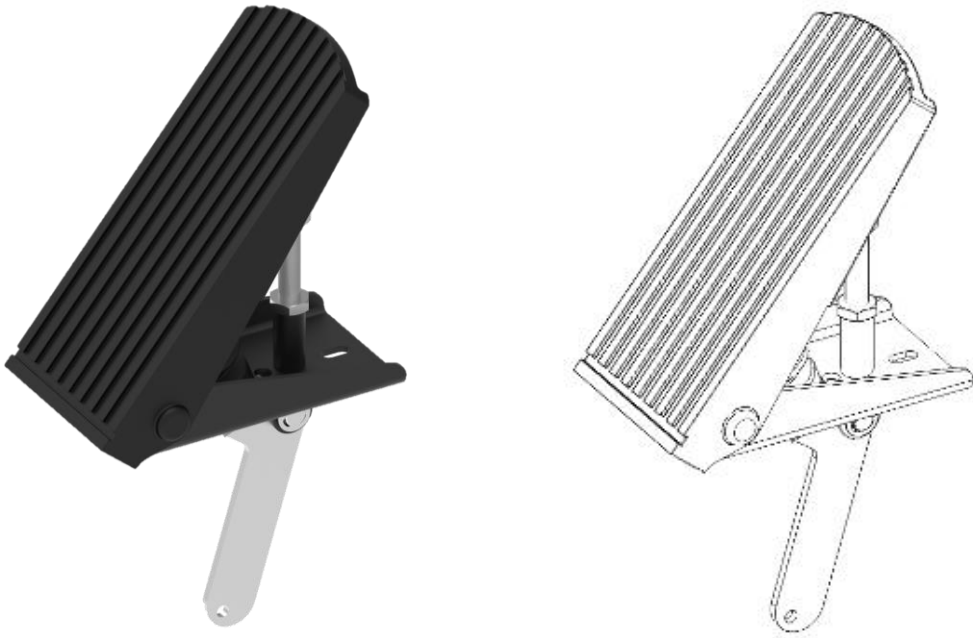
- ❑ Aluminum Alloy Accelerator Pedal.
- ❑ 18° of pedal travel equals 30mm of travel.
- ❑ Adjustable pedal angle.
- ❑ Throttle link & bracket to connect a hand throttle cable
- ❑ Idle return torsion spring.
- ❑ Throttle Cable exit adjustable through 360° .
- ❑ Cable mounting bracket adjustable through 30° .



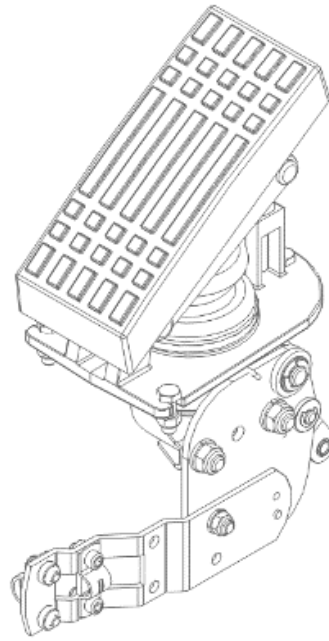
- Aluminum Alloy Accelerator Pedal.
- 18° of pedal travel equals 30mm of travel.
- Adjustable pedal angle.
- Throttle link & bracket to connect a hand throttle cable
- Idle return torsion spring.
- Throttle Cable exit adjustable through 360° .
- Cable mounting bracket adjustable through 30° .



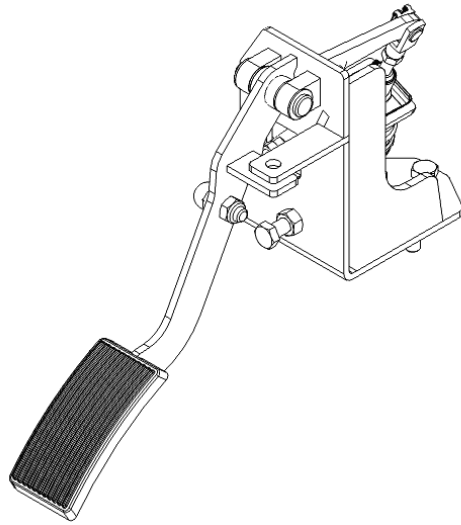
- Compact & economical pressed steel Accelerator Pedal.
- Max Travel 70mm.
- Multiple floor mounting holes are built in.
- For use with single pull only throttle cables.
- Idle position return torsion spring.
- Embossed pedal surface.



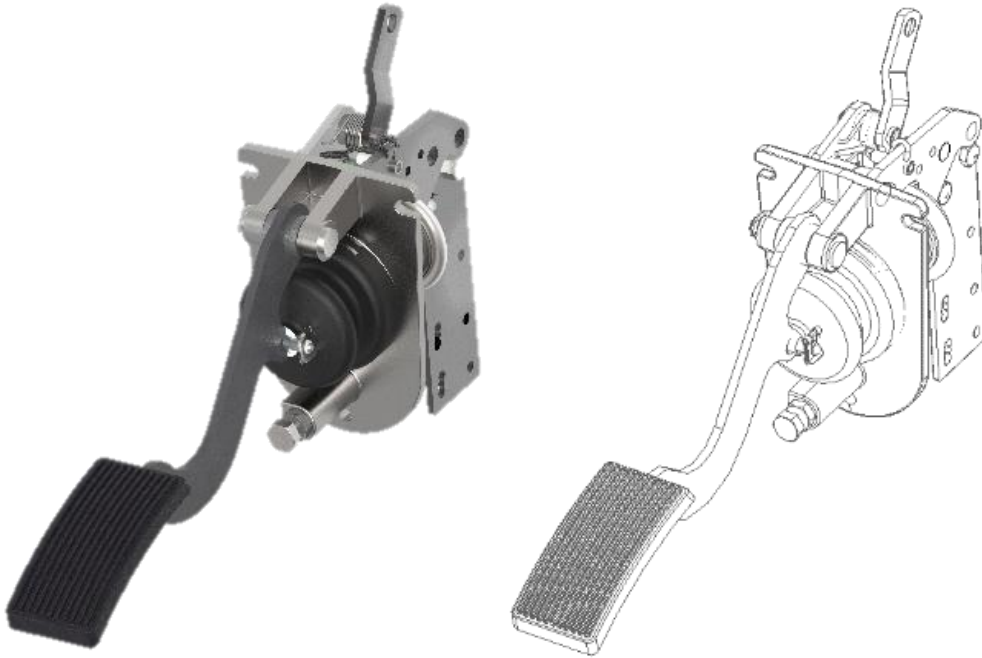
- ❑ Compact & economical pressed steel Accelerator Pedal.
- ❑ Max Travel 70mm.
- ❑ Multiple floor mounting holes are built in.
- ❑ For use with single pull only throttle cables.
- ❑ Idle position return torsion spring.
- ❑ Anti-Skid Rubber Grip Foot Pedal.



- ❑ Aluminum Alloy Accelerator Pedal.
- ❑ 9° of pedal travel equals 48mm of travel.
- ❑ Adjustable pedal angle.
- ❑ Throttle link & bracket to connect a hand throttle cable
- ❑ Idle return torsion spring.
- ❑ Throttle Cable exit adjustable through 360° .
- ❑ Cable mounting bracket adjustable through 30° .



- Suspended Acc. Pedal.**
- Compact & Economical Pressed Steel.**
- Max. Travel : 50MM.**
- Customized Mounting Holes Are Possible.**



- Suspended Acc. Pedal.
- Aluminum Alloy Mtg. and sheetmetal arm with plastic footrest.
- 18° of pedal travel equals 30mm of travel.
- Adjustable pedal angle.
- For use with single pull only throttle Cable.
- Idle return torsion spring.
- Throttle Cable exit vertically downwards .
- Cable mounting bracket adjustable through 30° .