

HAND OPERATORS:



□ XHO-820



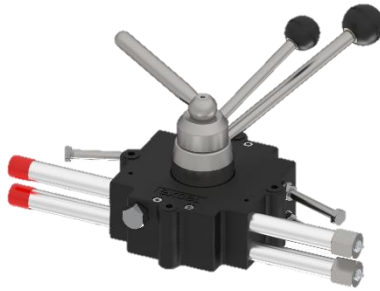
□ XHO-825



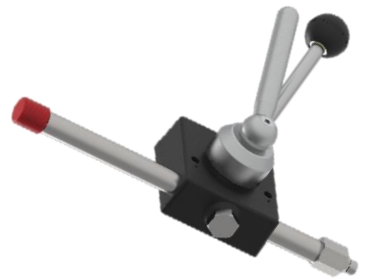
□ XHO-840



□ XHO-845



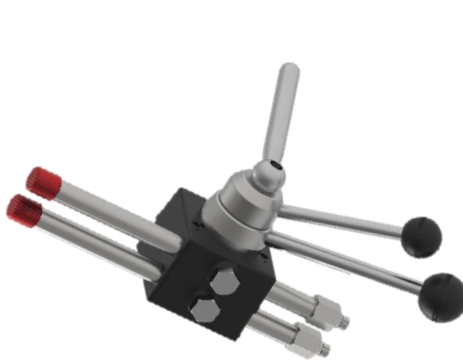
□ XHO-850



□ XHO-870



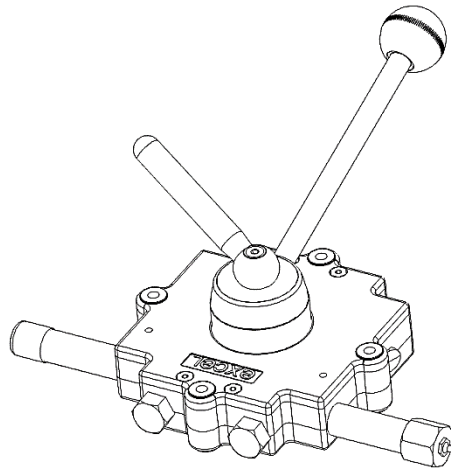
□ XHO-875



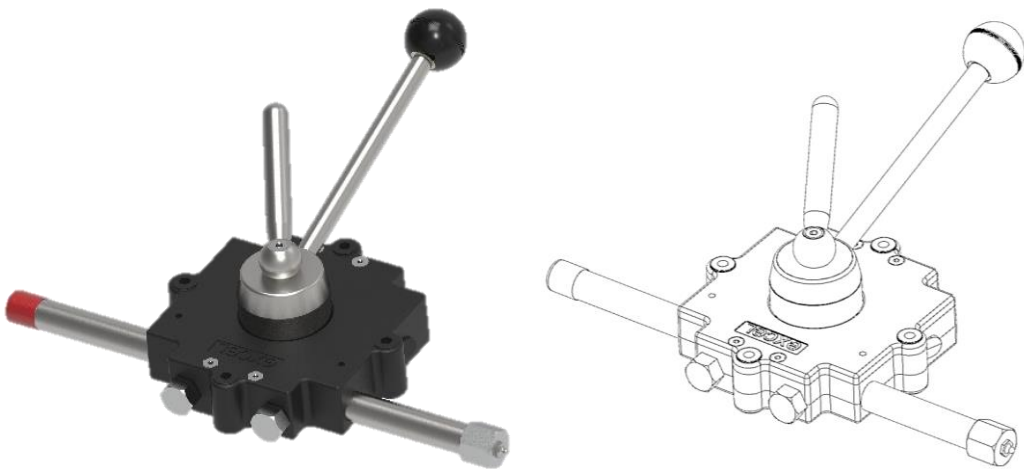
□ XHO-880



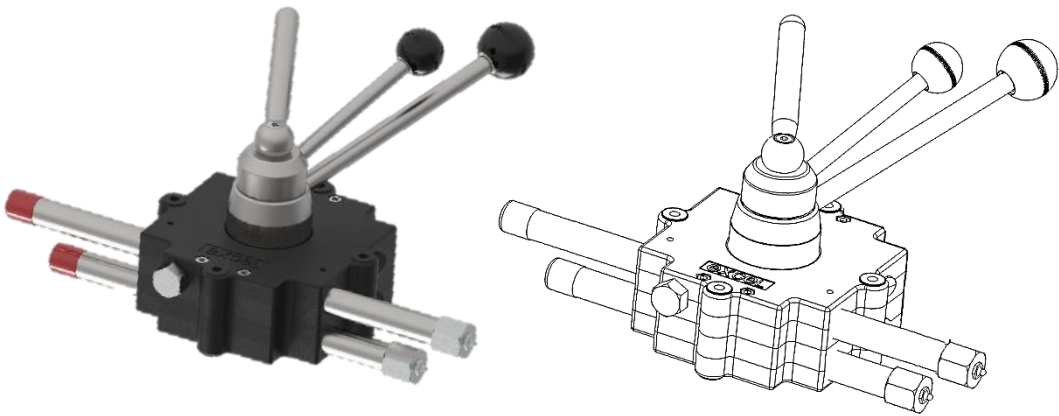
□ XHO-885



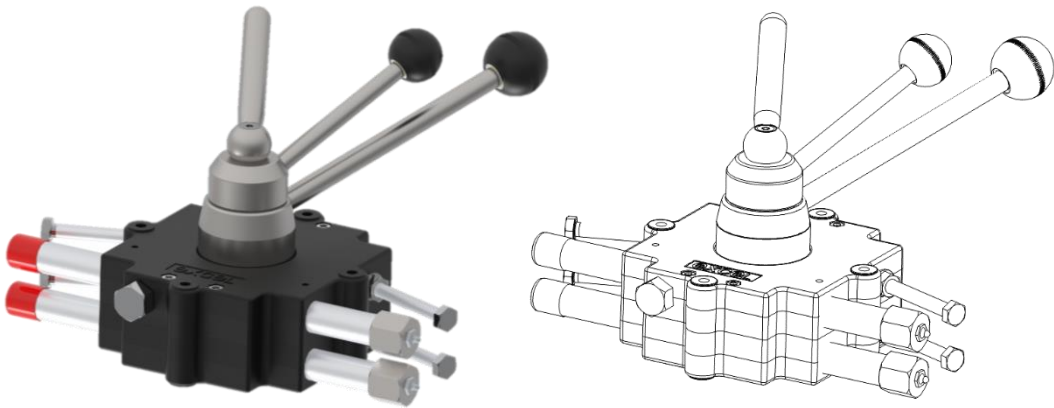
- Single Lockable Rack & Pinion Control.
- Standard Travel 80mm.
- Aluminum alloy housing & steel gear set.
- Optional-Finished with black powder coat or without coat.
- Black Colored Knob.



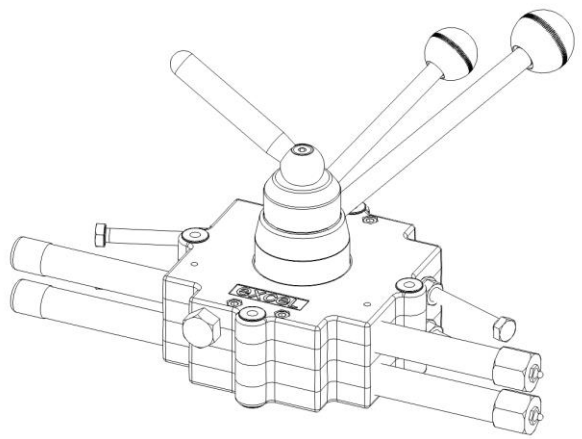
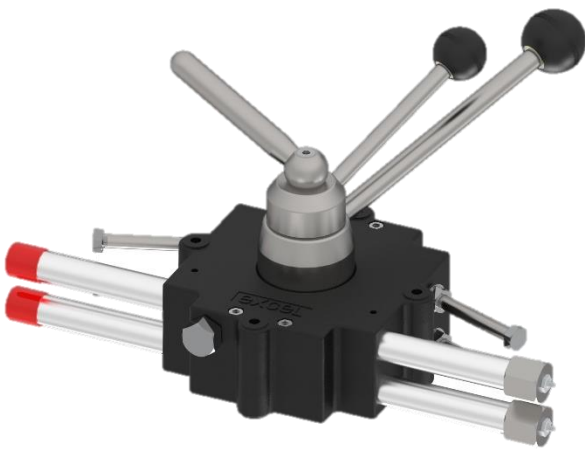
- ❑ **Single Lockable Rack & Pinion Control.**
- ❑ **Standard Travel 100mm.**
- ❑ **Aluminum alloy housing & steel gear set.**
- ❑ **Black powder coated finish.**
- ❑ **Black Colored Knob.**



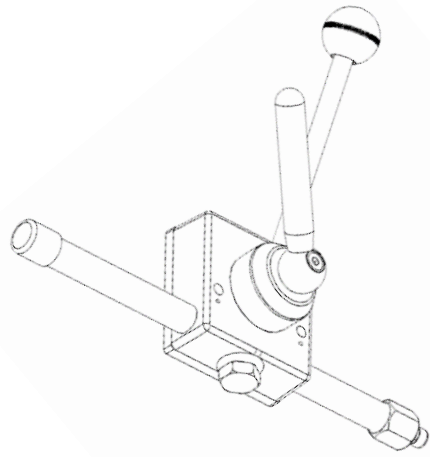
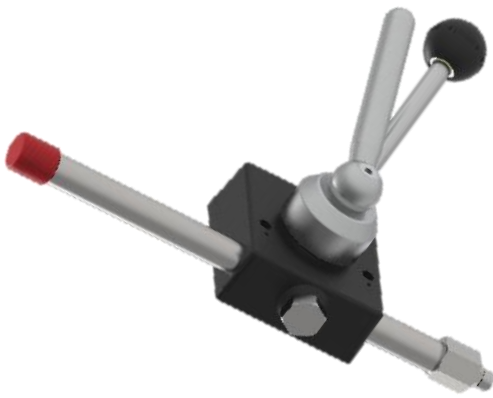
- Double Lockable Rack & Pinion Control.
- Standard Travel 80 mm for accelerator & 100mm for pump control.
- Aluminum alloy housing & steel gear set.
- Optional-Finished with black powder coat or without coat.
- Black Colored Knob.



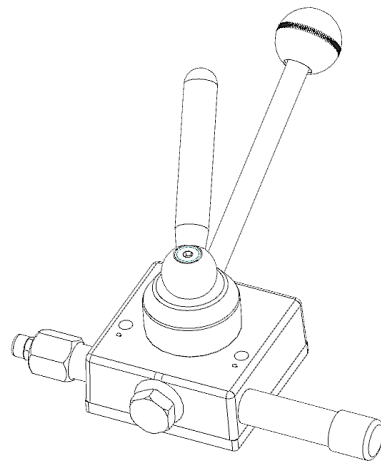
- Double Lockable Rack & Pinion Control.
- Standard Travel 80 mm for accelerator & pump control.
- Aluminum alloy housing & steel gear set.
- Optional-Finished with black powder coat or without coat.
- Black Colored Knob.



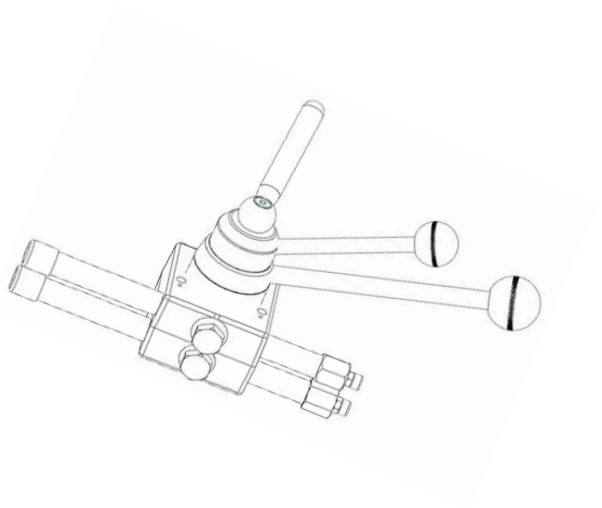
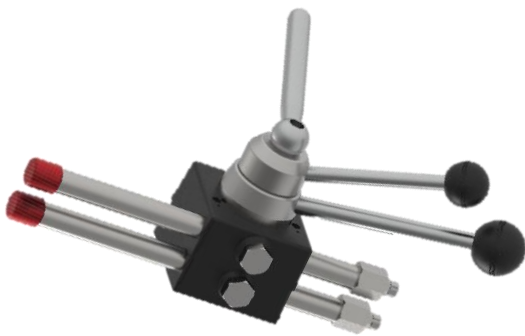
- Double Lockable Rack & Pinion Control.
- Standard Travel 100 mm for accelerator & pump control.
- Aluminum alloy housing & steel gear set.
- Detent at the mid position.
- Suitable for Transit Mixer throttle & hydraulic control.
- Optional-Finished with black powder coat or without coat.
- Black Colored Knob



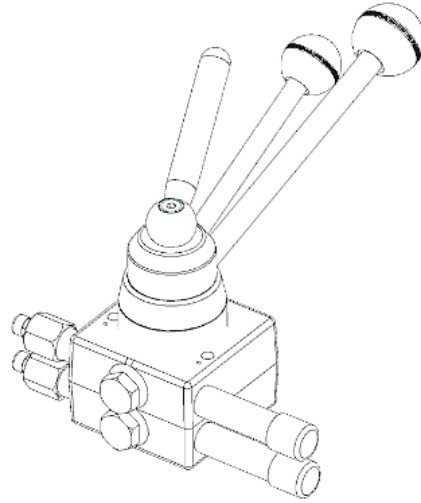
- Light duty lockable rack & pinion control with detent.
- Standard travel 100mm.
- Aluminum housing & steel gear set.
- Suitable for hydraulic motor control.
- Black Colored Knob.



- Light duty lockable rack & pinion control with detent.
- Standard travel 50mm..
- Aluminum housing & steel gear set.
- Suitable for hydraulic motor control.
- Finished with black.
- Black Colored Knob.



- Light duty lockable rack & pinion control with detent.
- Standard travel 100mm.
- Aluminum housing & steel gear set.
- Suitable for hydraulic motor control.
- Black Colored Knob.



- Light duty double lockable rack & pinion control with detent.
- Standard travel 50mm.
- Aluminum housing & steel gear set.
- Suitable for hydraulic motor control.
- Black Colored Knob.