

MANUAL TRANSMISSION SYSTEM:



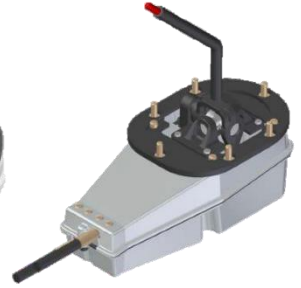
□ XGS-100



□ XGS-140



□ XGS-150



□ XGS-160



□ XGS-400



□ XGS-410



□ XGS-500



□ XGS-550



□ XGS-600



□ XGS-650



□ XGS-820



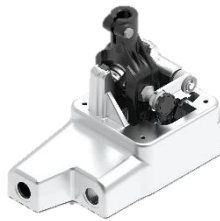
□ XGS-700



□ XGS-750



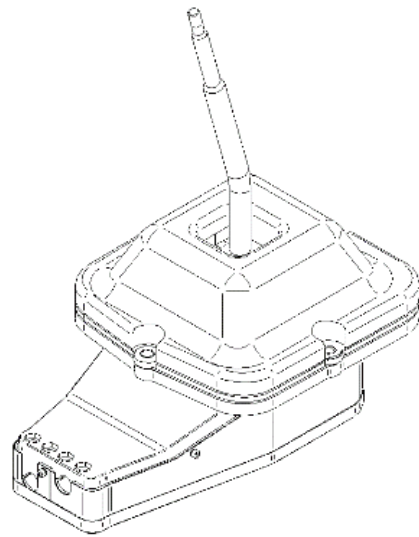
□ XGS-800



□ XGS-900



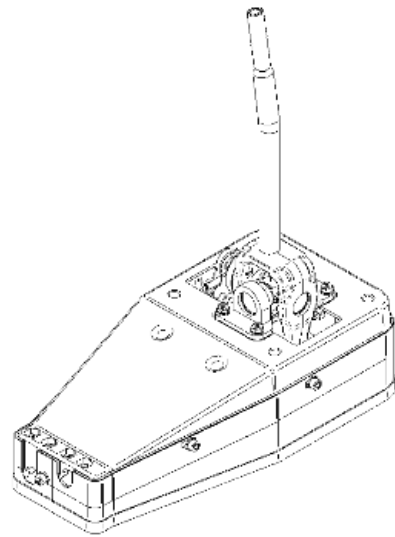
□ XGS-920



- Type : Horizontal
- Shift Travel Max : 56mm
- Select Travel Max : 60mm
- Away from Driver : Cable Push with GSL on driver's left side
- Front of Vehicle : Cable Pull with cable exiting to GSL towards vehicle front
- M.A. Shift : 3.6
- M.A. Select : 3.4

Note:- Considering lever height

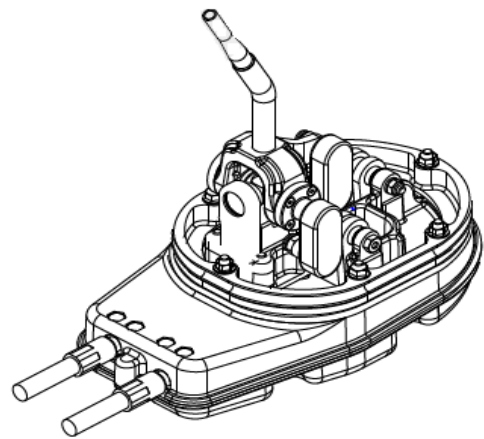
- 325mm Without Knob
- 384mm With Knob



- | | |
|--|--|
| <input type="checkbox"/> Type | : Horizontal |
| <input type="checkbox"/> Shift Travel Max | : 64mm |
| <input type="checkbox"/> Select Travel Max | : 70mm |
| <input type="checkbox"/> Away from Driver | : Cable Pull with GSL on driver's left side |
| <input type="checkbox"/> Front of Vehicle | : Cable Pull with cable exiting to GSL towards vehicle front |
| <input type="checkbox"/> M.A. Shift | : 4.4 |
| <input type="checkbox"/> M.A. Select | : 5.5 |

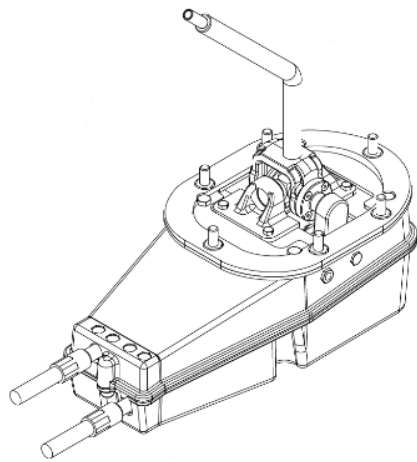
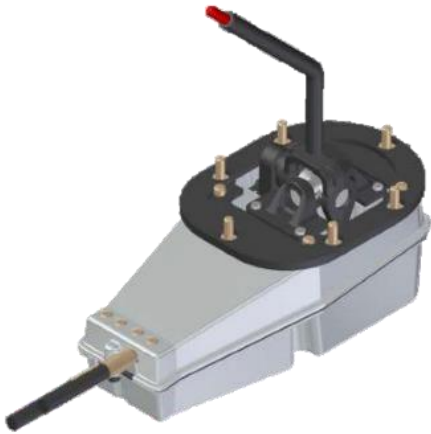
Note:- Considering lever height

- 302mm Without Knob
- 370mm With Knob



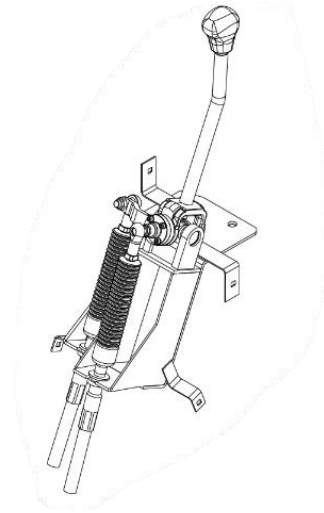
- | | |
|--|--|
| <input type="checkbox"/> Type | : Horizontal |
| <input type="checkbox"/> Shift Travel Max | : 70mm |
| <input type="checkbox"/> Select Travel Max | : 64mm |
| <input type="checkbox"/> Away from Driver | : Cable Pull with GSL on driver's left side |
| <input type="checkbox"/> Front of Vehicle | : Cable Push with cable exiting to GSL towards vehicle front |
| <input type="checkbox"/> M.A. Shift | : 2.0 |
| <input type="checkbox"/> M.A. Select | : 1.9 |

Note:- Considering lever height - 224mm.



- | | |
|--|--|
| <input type="checkbox"/> Type | : Horizontal |
| <input type="checkbox"/> Shift Travel Max | : 64 mm |
| <input type="checkbox"/> Select Travel Max | : 70 mm |
| <input type="checkbox"/> Away from Driver | : Cable Pull with GSL on driver's left side |
| <input type="checkbox"/> Front of Vehicle | : Cable Push with cable exiting to GSL towards vehicle front |
| <input type="checkbox"/> M.A. Shift | : 4.4 |
| <input type="checkbox"/> M.A. Select | : 2.7 |

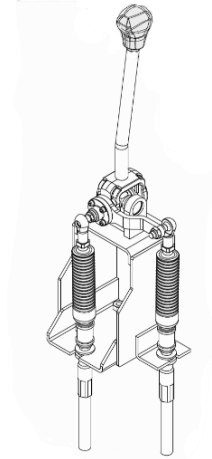
Note:- Considering lever height -



- | | |
|--|--|
| <input type="checkbox"/> Type | : Vertical |
| <input type="checkbox"/> Shift Travel Max | : 70mm |
| <input type="checkbox"/> Select Travel Max | : 74mm |
| <input type="checkbox"/> Away from Driver | : Cable Push with GSL on driver's left side |
| <input type="checkbox"/> Front of Vehicle | : Cable Push with cable exiting to GSL towards vehicle front |
| <input type="checkbox"/> M.A. Shift | : 3.2 |
| <input type="checkbox"/> M.A. Select | : 3.1 |

Note:- Considering lever height

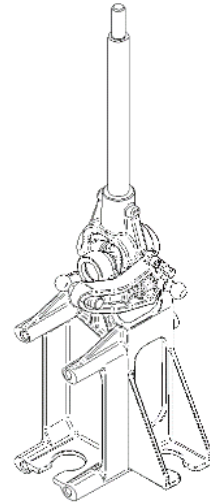
- 278mm Without Knob
- 328mm With Knob



- Type : Vertical
- Shift Travel Max : 70mm
- Select Travel Max : 80mm
- Away from Driver : Cable Push with GSL on driver's left side
- Front of Vehicle : Cable Push with cable exiting to GSL towards rear of the vehicle

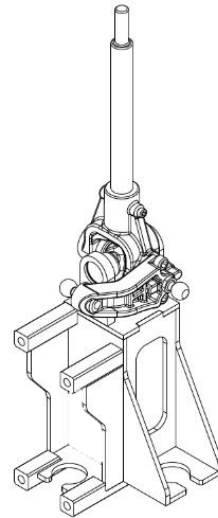
- M.A. Shift : 3.5
- M.A. Select : 2.9

Note:- Considering lever height - 300mm (Approx.)



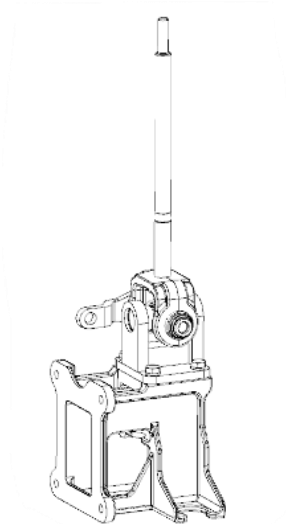
- ❑ Type : Vertical
- ❑ Shift Travel Max : 50mm
- ❑ Select Travel Max : 40mm
- ❑ M.A. Shift : 4.0 (Considering max. lever height 220mm.)
- ❑ M.A. Select : 3.7 (Considering max. lever height 220mm.)
- ❑ Housing : Aluminium HPDC alloy.
- ❑ Yoke & Side arm : Steel alloy.

❑ NOTE: Lever length is optional but should not be more than 220mm.



- Type : Vertical
- Shift Travel Max : 50mm
- Select Travel Max : 40mm
- M.A. Shift : 4.0 (Considering max. lever height 220mm.)
- M.A. Select : 3.7 (Considering max. lever height 220mm.)
- Housing : Sheet metal.
- Yoke & Side arm : Steel alloy.

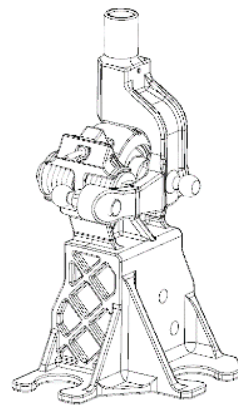
□ NOTE: Lever length is optional but should not be more than 220mm.



- Type : Vertical
- Shift Travel Max : 45 mm
- Select Travel Max : 45 mm
- Housing : Cast Aluminium Alloy.
- Yoke : Aluminium alloy.
- M.A. Shift : 4.4
- M.A. Select : 4.4

Note:- Considering lever height

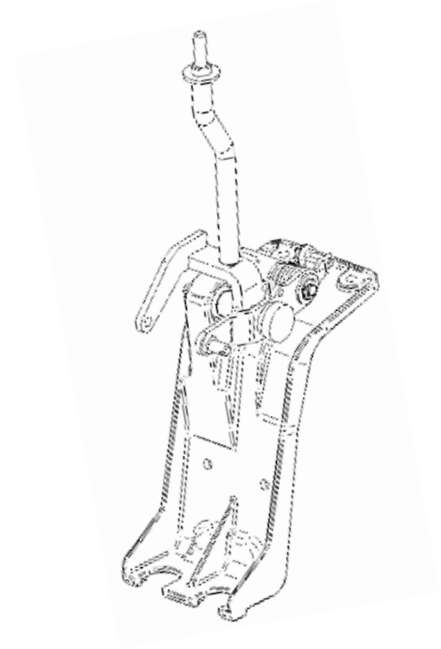
- 300mm Without Knob
- 350mm With Knob



- Type : Vertical
- Shift Travel Max : 50mm
- Select Travel Max : 40mm
- Housing : Aluminium HPDC alloy.
- Yoke & Side arm : Steel alloy.
- M.A. Shift :
- M.A. Select :

Note:- Considering lever height

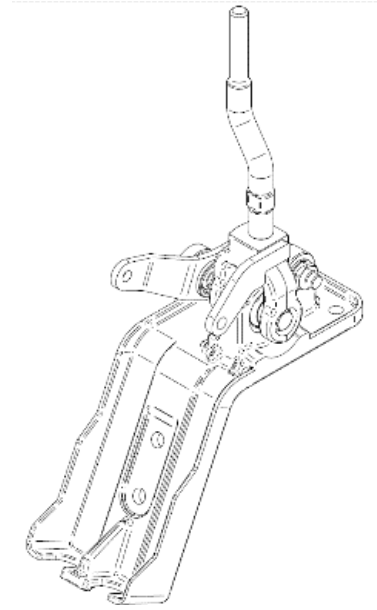
- mm Without Knob
- mm With Knob



- | | |
|--|-------------------------|
| <input type="checkbox"/> Type | : Vertical/Hump Mount |
| <input type="checkbox"/> Shift Travel Max | : 64 mm |
| <input type="checkbox"/> Select Travel Max | : 64 mm |
| <input type="checkbox"/> Housing | : Aluminium HPDC Alloy. |
| <input type="checkbox"/> Yoke & Side Arm | : Pressed Steel. |
| <input type="checkbox"/> M.A. Shift | : 4.0 |
| <input type="checkbox"/> M.A. Select | : 1.9 |

Note:- Considering lever height

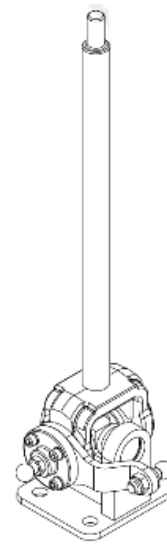
- 263mm Without Knob
- 307mm With Knob



- ❑ Type : Vertical/Hump Mount
- ❑ Shift Travel Max : 54 mm
- ❑ Select Travel Max : 56 mm
- ❑ Housing : Aluminium HPDC Alloy.
- ❑ Yoke & Side Arm : Pressed Steel.
- ❑ M.A. Shift : 4.0
- ❑ M.A. Select : 2.0

Note:- Considering lever height

- 221mm Without Knob
- 286mm With Knob

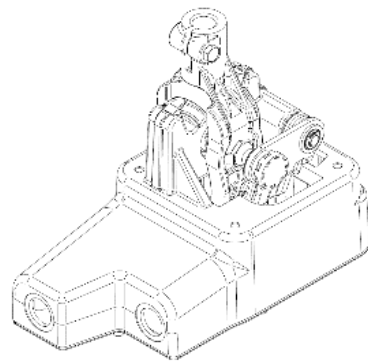


- Type : Vertical
- Shift Travel Max : 50 mm
- Select Travel Max : 40 mm
- Away from Driver : Cable Push with GSL on driver's left side
- Front of Vehicle : C able Push with cable exiting to GSL towards rear of the vehicle.

- M.A. Shift : 4.9
- M.A. Select : 5.3

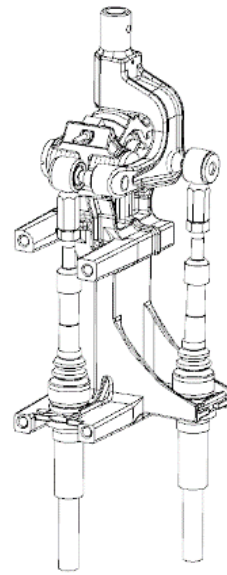
Note:- Considering lever height

- 340mm Without Knob



- Type : Horizontal
- Shift Travel Max : 80 mm
- Select Travel Max : 52 mm
- Housing : Aluminium HPDC alloy.
- Yoke : Aluminium alloy.
- M.A. Shift : 4.0
- M.A. Select : 3.2

Note:- Considering lever height - 320mm



- | | |
|--|-------------------------|
| <input type="checkbox"/> Type | : Horizontal |
| <input type="checkbox"/> Shift Travel Max | : 80 mm |
| <input type="checkbox"/> Select Travel Max | : 52 mm |
| <input type="checkbox"/> Housing | : Aluminium HPDC alloy. |
| <input type="checkbox"/> Yoke | : Aluminium alloy. |
| <input type="checkbox"/> M.A. Shift | : 4.0 |
| <input type="checkbox"/> M.A. Select | : 3.2 |

Note:- Lever length is optional but should not be more than 220mm.

Considering lever height - 273mm