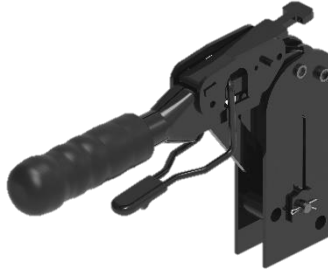


PARK BRAKE LEVERS:



□ XPB-102



□ XPB-105



□ XPB-110



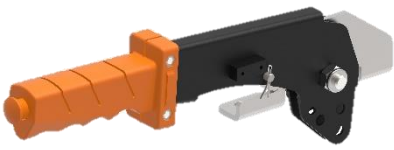
□ XPB-008



□ XPB-009



□ XPB-028



□ XPB-205



□ XPB-200



□ XPB-210



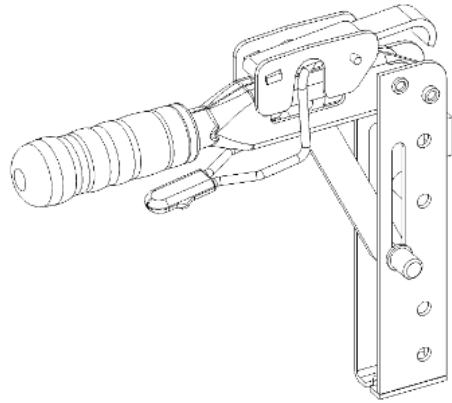
□ XPB-220



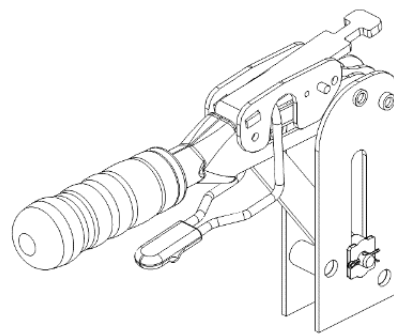
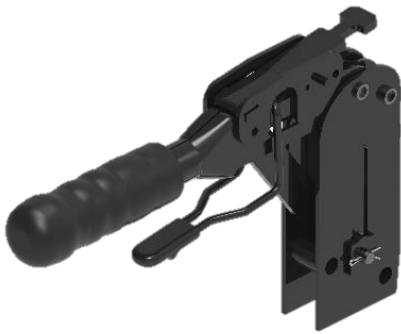
□ XPB-230



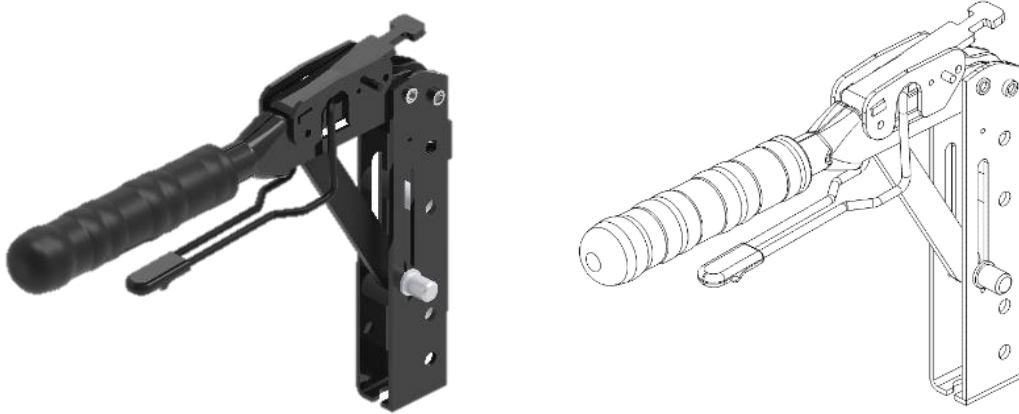
□ XPB-120



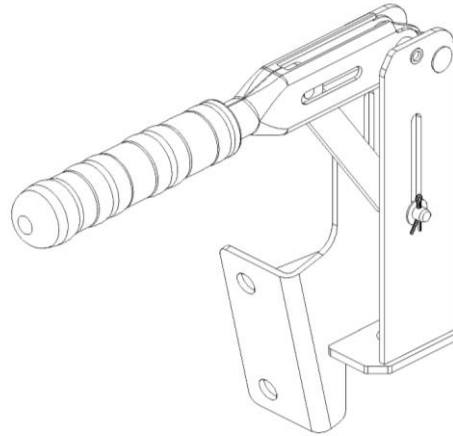
- Over Center Park Brake Lever With Safety Latch mechanism.
- Available with Flange/Side mount option.
- Maximum travel 50mm.
- Travel and cable tension are adjustable.
- Adjustable knob allows compensation for system wear.



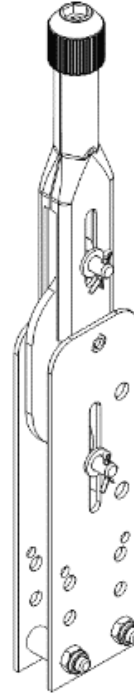
- Over Center Park Brake Lever With Safety Latch mechanism.
- Available with Flange/Side mount option.
- Optional rubber grip.
- Maximum travel 56mm
- Travel and cable tension are adjustable
- Adjustable knob allows compensation for system wear.



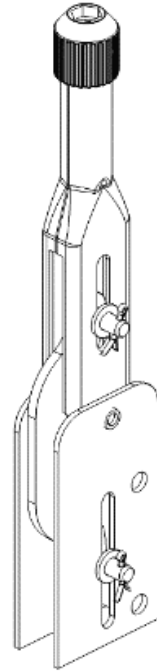
- Over Center Park Brake Lever With Safety Latch mechanism.
- Available with Flange/Side mount option.
- Optional rubber grip.
- Maximum travel 56mm
- Travel and cable tension are adjustable
- Adjustable knob allows compensation for system wear.



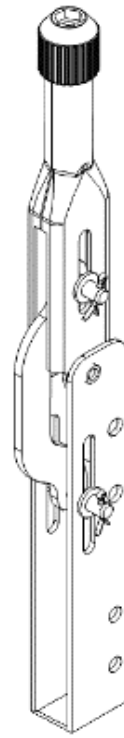
- Over Center Park Brake Lever.
- Maximum travel 50mm.
- Travel and cable tension are adjustable.
- Adjustable knob allows compensation for system wear.
- Flange mounted.



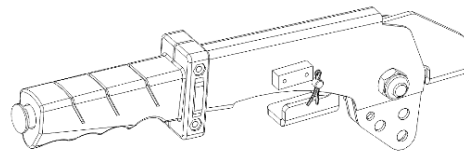
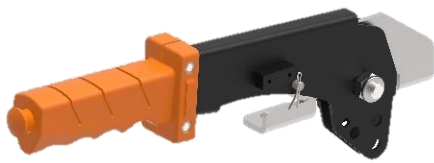
- Over Center Park Brake Lever.
- 64mm Side Plates, Side Mount.
- 3 sets of Cable clamp mountings.
- Maximum travel 56mm
- Travel and cable tension are adjustable
- Adjustable knob allows compensation for system wear.



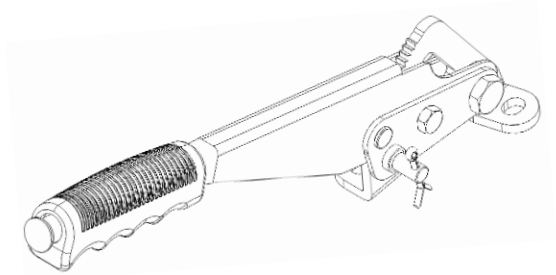
- Over Center Park Brake Lever.
- 64mm Side Plates, side mount.
- No Cable support.
- Maximum travel 56mm
- Travel and cable tension are adjustable
- Adjustable knob allows compensation for system wear.



- Over Center Park Brake Lever.
- 38mm Side Plates, side mount.
- 2 sets of side mounting holes.
- Maximum travel 56mm
- Travel and cable tension are adjustable
- Adjustable knob allows compensation for system wear.

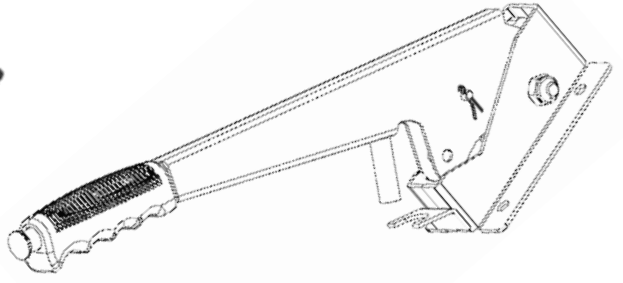


- Ratchet type parking brake lever.
- Travel : 28mm Max.
- Floor mounted.

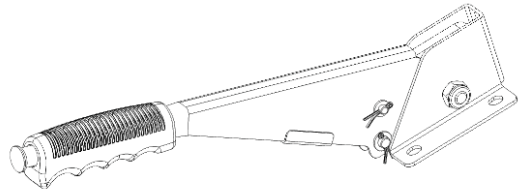


- Ratchet type parking brake lever.
- Travel : 35mm Max.
- Floor mounted.

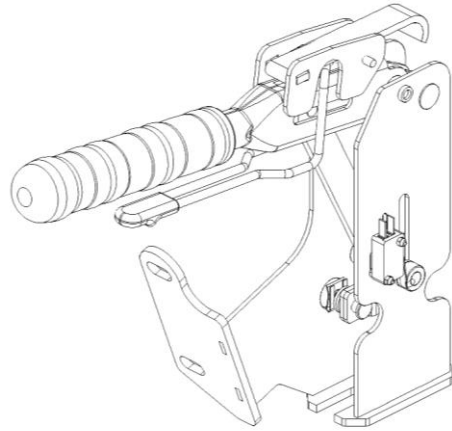
XPB 210



- Ratchet type parking brake lever.
- Travel : 50mm Max.
- Floor mounted.



- Ratchet type parking brake lever.
- Travel : 40mm Max.
- Floor mounted.



- ❑ Over Center Park Brake Lever With Safety Latch mechanism.
- ❑ Maximum travel 50mm.
- ❑ Travel and cable tension are adjustable.
- ❑ Adjustable knob allows compensation for system wear.
- ❑ Side mounted.