

# STEERING COLUMN:



□ XSC-100



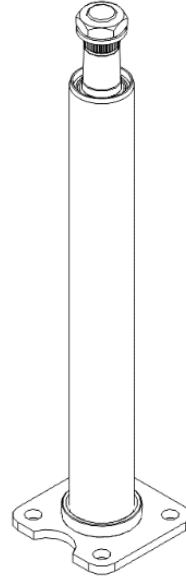
□ XSC-110



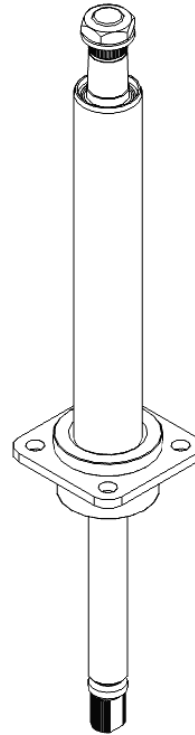
□ XSC-120



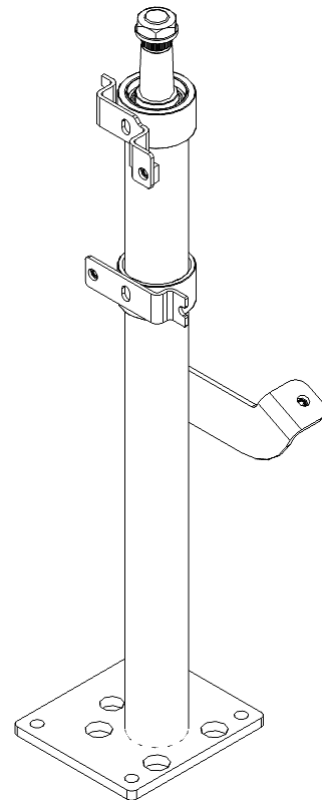
□ XSC-130



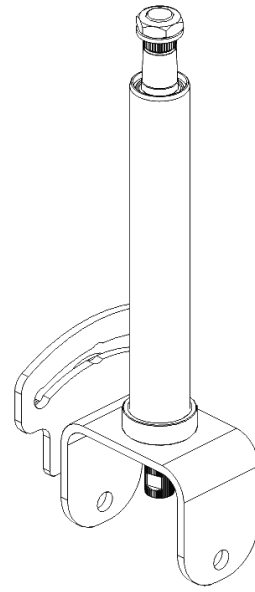
- High strength steel steering column.
- Customized mounting option is possible.
- Variable steering column length.
- Self-supported designs



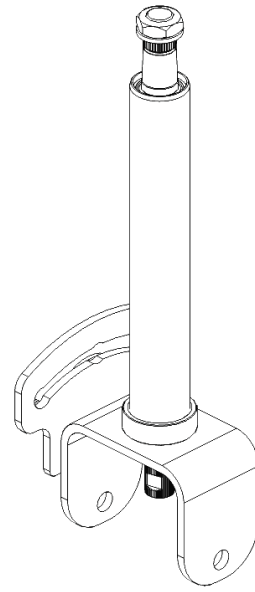
- ❑ High strength steel steering column.
- ❑ Customized mounting option is possible.
- ❑ Variable steering column length.
- ❑ Self-supported designs
- ❑ Double bearing support for longer length.



- High strength steel steering column.
- Customized mounting option is possible.
- Variable steering column length.
- Self-supported designs



- High Strength Steel Steering Column.
- Customized Mounting Option is Possible.
- Variable position of tilt.
- Variable angles for tilt function.
- Variable steering column length.



- High Strength Steel Steering Column.
- Customized Mounting Option is Possible.
- Variable position of tilt.
- Variable angles for tilt function.
- Variable steering column length.