

# VALVE OPERATORS:



□ XVL-500



□ XVL-505



□ XVL-520



□ XVL-620



□ XVL-680



□ XVL-690



□ XVL-700



□ XVL-705



□ XVL-900



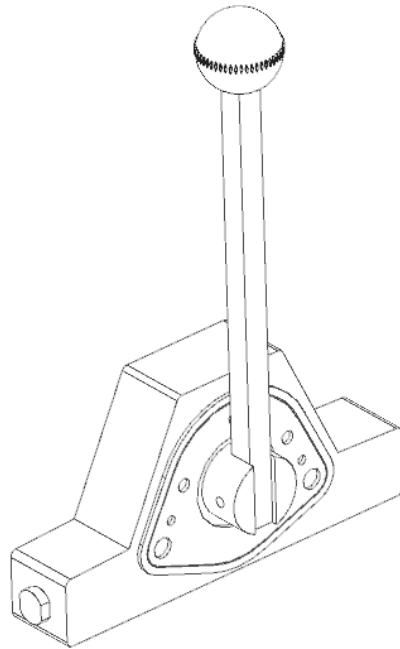
□ XVL-902



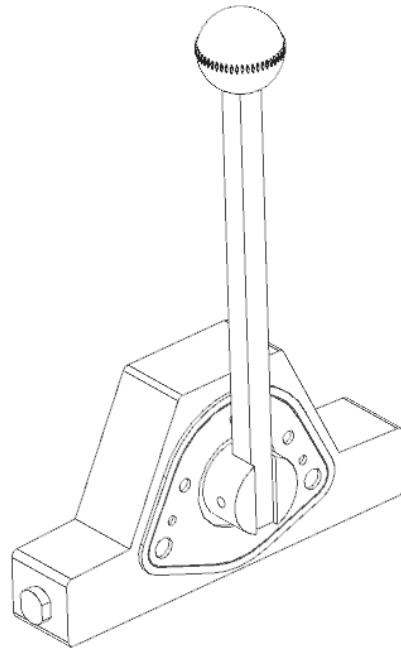
□ XVL-920



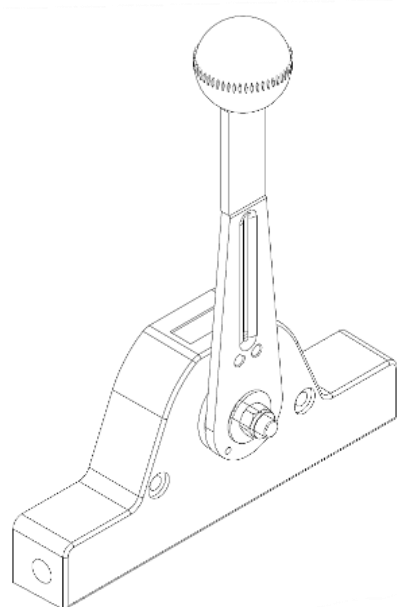
□ XVL-930



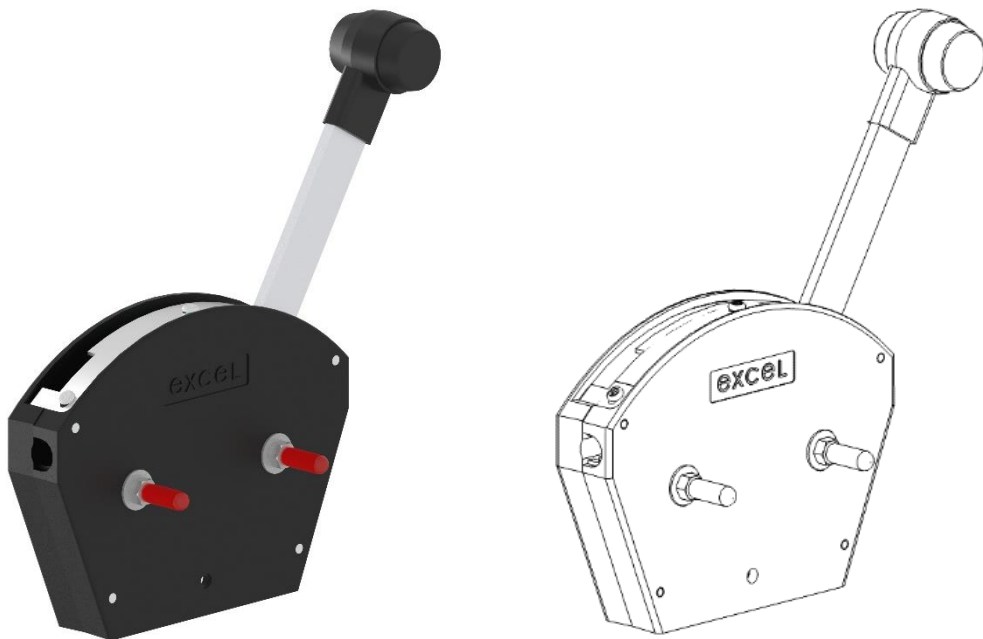
- ❑ Zinc alloy heavy duty Rack Lever.
- ❑ Total Travel : 80mm.
- ❑ Maximum load 100 Kgf.
- ❑ Optional 1/2/3 lock positions.
- ❑ Also available in non locking construction.
- ❑ Black Colored Knob.



- ❑ Zinc alloy heavy duty Rack Lever.
- ❑ Total Travel : 80mm.
- ❑ Maximum load 100 Kgf.
- ❑ Non Locking Construction.
- ❑ Black Colored Knob.

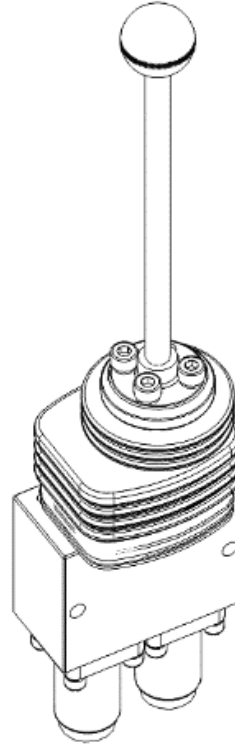


- ❑ Zinc alloy body and Rack Lever Mechanism.
- ❑ Total Travel : 80mm Max.
- ❑ Maximum load 60 Kgf.
- ❑ Black Colored Knob.

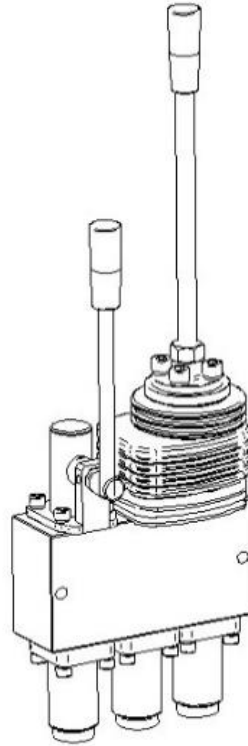


- Zinc alloy body Valve Operator.
- Suitable for PTO operations
- Total travel : 80mm.
- Max load 45 kgf.
- Various gate options available.
- 1/4'' UNF End Rod threading is standard.
- Bottom mounting option available.
- Black Colored Knob.

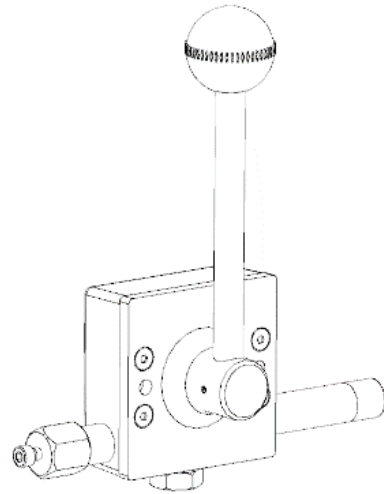
# XVL 680



- ❑ Aluminium body with steel rods.
- ❑ Max Travel 10mm in each direction.
- ❑ Max load 40 kgf.
- ❑ Black Colored Knob.

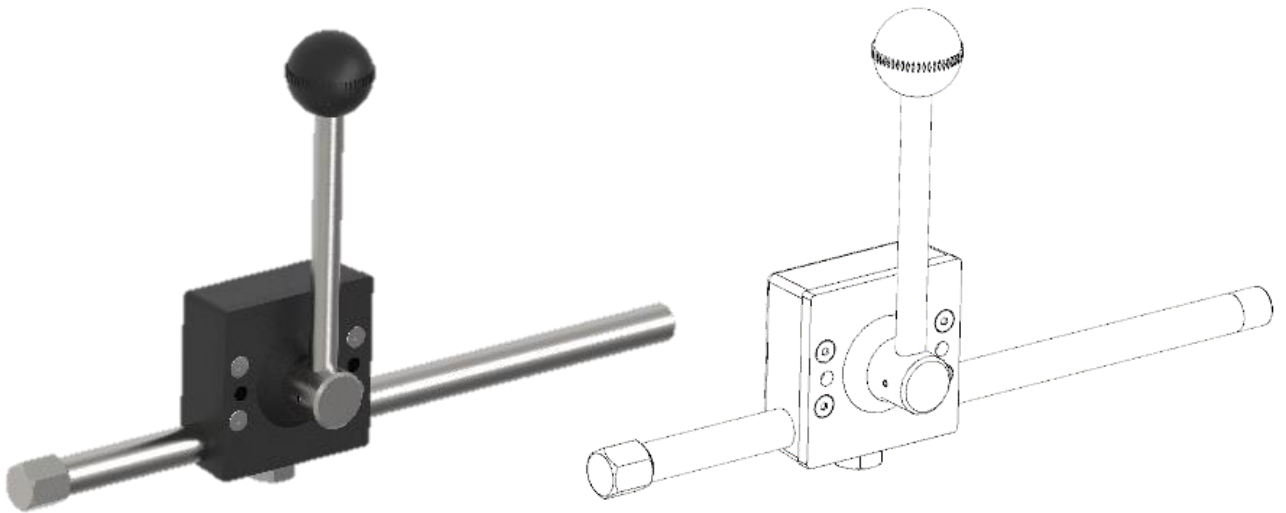


- ❑ Aluminium body with steel rods.
- ❑ Max Travel 10mm in each direction.
- ❑ Max load 40 kgf.
- ❑ Black Colored Knob.

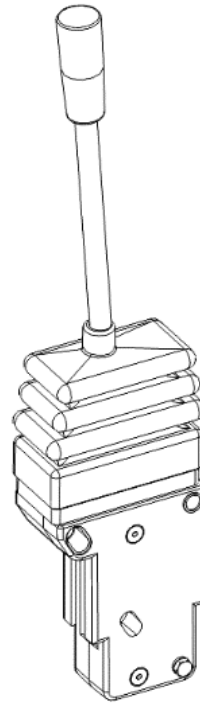


- ❑ Light duty rack & pinion control with detent.
- ❑ Standard travel 50mm.
- ❑ Aluminum housing & steel gear set.
- ❑ Suitable for hydraulic motor control.
- ❑ Black Colored Knob.

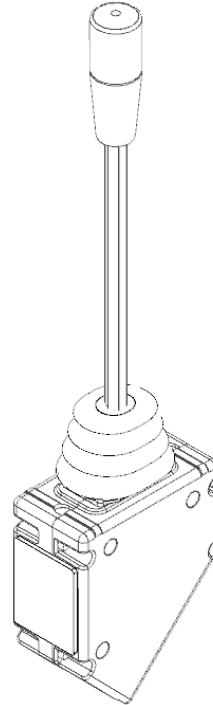




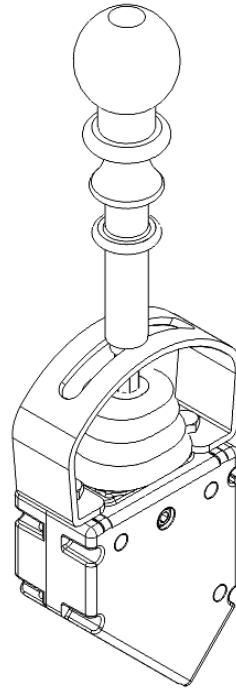
- ❑ Light duty rack & pinion control with detent.
- ❑ Standard travel 100mm.
- ❑ Aluminum housing & steel gear set.
- ❑ Suitable for hydraulic motor control.
- ❑ Black Colored Knob.



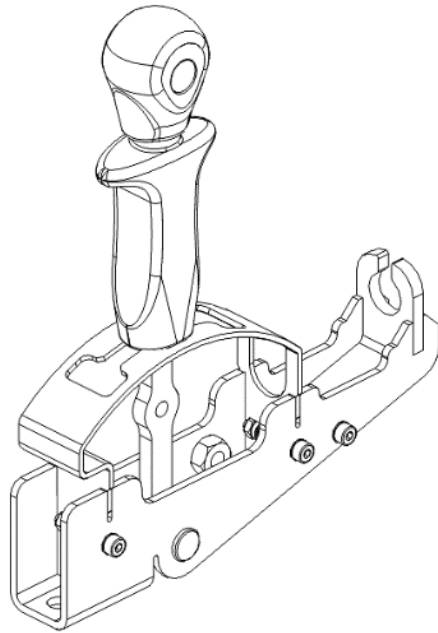
- ❑ Zinc alloy Stackable Remote Valve Operator.
- ❑ Total Max. Travel : 45mm.
- ❑ Max load 50 Kgf.
- ❑ Available with different valve connection kits.
- ❑ Black Colored Knob.



- ❑ Zinc Alloy Stackable remote Valve Operator.
- ❑ Total Max. Travel : 26mm.
- ❑ Max load 40 kgf.
- ❑ Suitable for side / panel / bulkhead mounting.
- ❑ Black Colored Knob.



- ❑ Zinc Alloy Stackable remote Valve Operator.
- ❑ Detent plate option available.
- ❑ Total Max. Travel : 26mm.
- ❑ Max load 40 kgf.
- ❑ Suitable for side / panel / bulkhead mounting.
- ❑ Black Colored Knob.



- ❑ Zinc Alloy Stackable remote Valve Operator.
- ❑ Total Max. Travel : 40 mm.
- ❑ Max load 35 kgf.
- ❑ Yellow Colored Knob.