

FLOOR MOUNTED THROTTLE PEDALS:



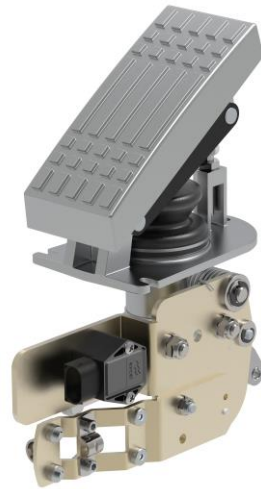
□ XEP-110



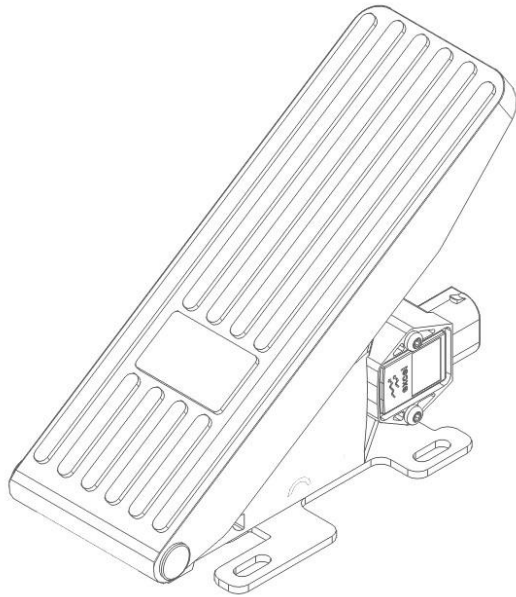
□ XEP-130



□ XEP-120



□ XEP-900



- Floor mounted throttle pedal.
- Footrest and molded parts in **PA66-GF30**.
- **Easy to use in combination** with throttle lever or throttle position sensor.
- **Different options of mounting bracket** are available.
- **Travel angle** is **17 deg**.
- **Two built in springs**.
- **Footrest position** available: **33 deg/45 deg/ 51 deg**.
- **Temperature** range: **-40 to +85 deg C**.
- **IP** Rating: 69/**69K**
- **Pedal with IVS** option **1.15 V** and **0.75 V** is available.
- Output Signals: **Dual analog, Single Analog, Analog + IVS**.
- Connector: **AMP 6 PIN**.
- Tested as per:
EN60068/ISO13766/ISO11451/IEC60068/IEC60529
- **Mounting bracket** can be **customized**.