

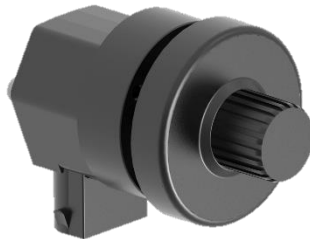
ROTARY THROTTLE:



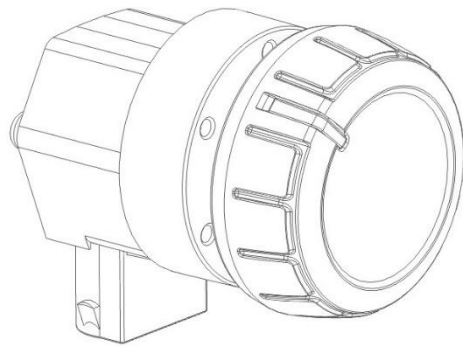
□ XER-165



□ XER-170



□ XER-175



- **Top mount /Side mount** direct drive rotary controls.
- Knob and molding base is **PA66-GF30**.
- The units are **available with friction control** or **multiple detent positions**.
- **Detent option** at every **10 deg** is available.
- **Easy to use in combination** with throttle pedal or throttle position sensor.
- **Several options of knobs** are available.
- **Travel angle** is **90 deg**.
- **Temperature** range: **-40 to +85 deg C**.
- **IP Rating**: 69/**69K**
- Output Signals: **Dual analog, Single Analog, Analog + IVS**.
- Connector: **AMP 6 PIN**.
- Tested as per:
EN60068/ISO13766/ISO11451/IEC60068/IEC60529