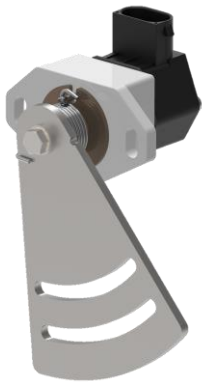
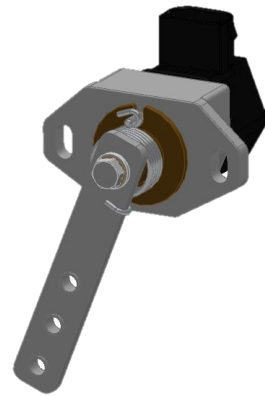


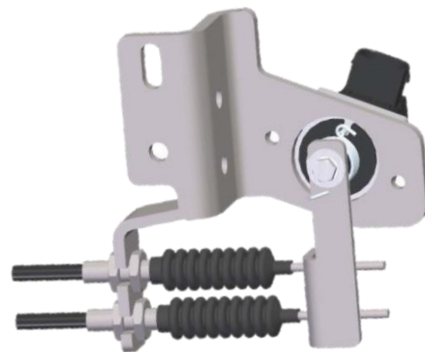
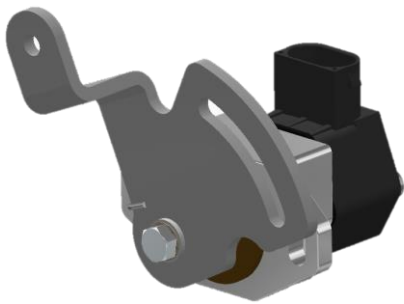
THROTTLE POSITION SENSOR (TPS):



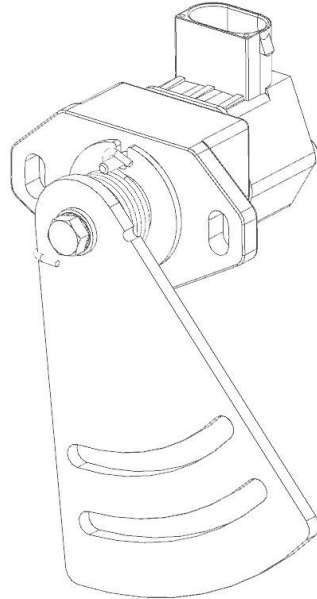
❑ XEPS-110



❑ XEPS-130



❑ CUSTOMISED SOLUTION



- **Side mounted** throttle position sensor.
- Molded parts in **plastic material**.
- **Lever bracket is in steel material** and features with **ZN coating**
- TPS body with **mounting flange is in die cast aluminum**.
- **Easy to use in combination** with throttle lever or throttle pedal.
- **Several options of lever bracket** is available.
- **Travel angle is 42 deg.**
- **One spring is available.**
- **Temperature** range: **-40 to +85 deg C.**
- **IP Rating:** 69/**69K**
- Output Signals: **Dual analog, Single Analog, Analog + IVS.**
- Connector: **AMP 6 PIN.**
- Tested as per:
EN60068/ISO13766/ISO11451/IEC60068/IEC60529