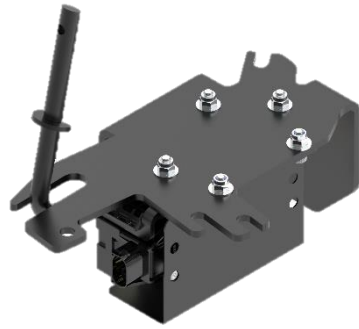


UNDER FLOOR MOUNTED THROTTLE PEDALS:



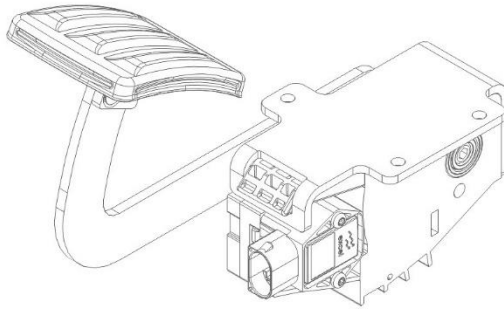
□ XEA-135



□ XEA-150



□ XEA-160



- Under floor throttle pedal.
- Molded parts in **PA66-GF30**.
- **Standard mounting bracket is black powder coated** and the **lever can be black or grey powder coated**.
- **Easy to use in combination** with throttle lever or throttle position sensor.
- **Several options of mounting brackets** are available.
- **Travel angle is 17 deg.**
- **Two built in springs.**
- **Temperature** range: **-40 to +85 deg C.**
- **IP Rating: 69/69K**
- **Pedal with IVS** option **1.15 V** and **0.75 V** is available.
- Output Signals: **Dual Analog, Single Analog, Analog +IVS.**
- Connector: **AMP 6 PIN.**
- **Mounting brackets** can be **customized.**
- Pedals are available with **steel and plastic pads.**
- Tested as per:
EN60068/ISO13766/ISO11451/IEC60068/IEC60529
- Pedal **lever shape can be customized** and **can be mounted on either side of the pedal** housing.