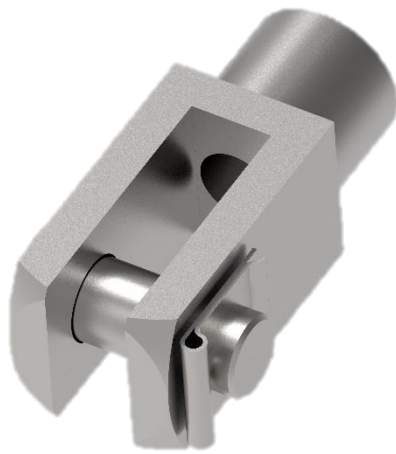
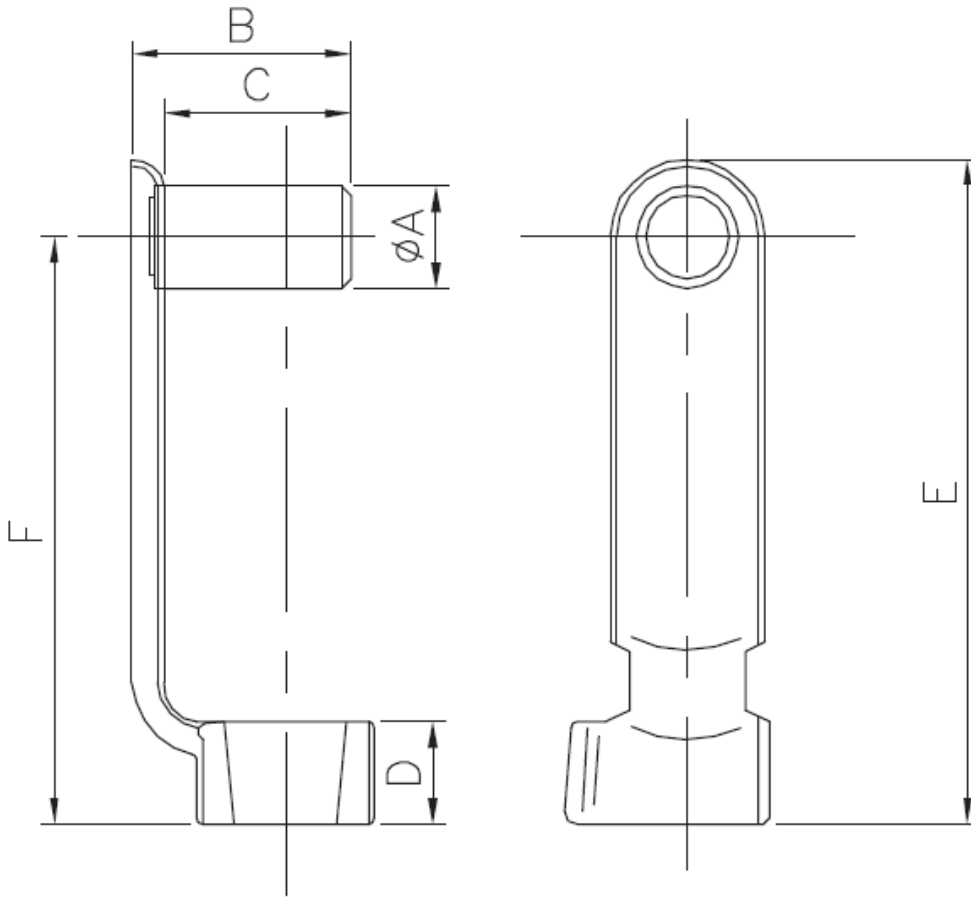


CLEVIS & SPRING PIN:



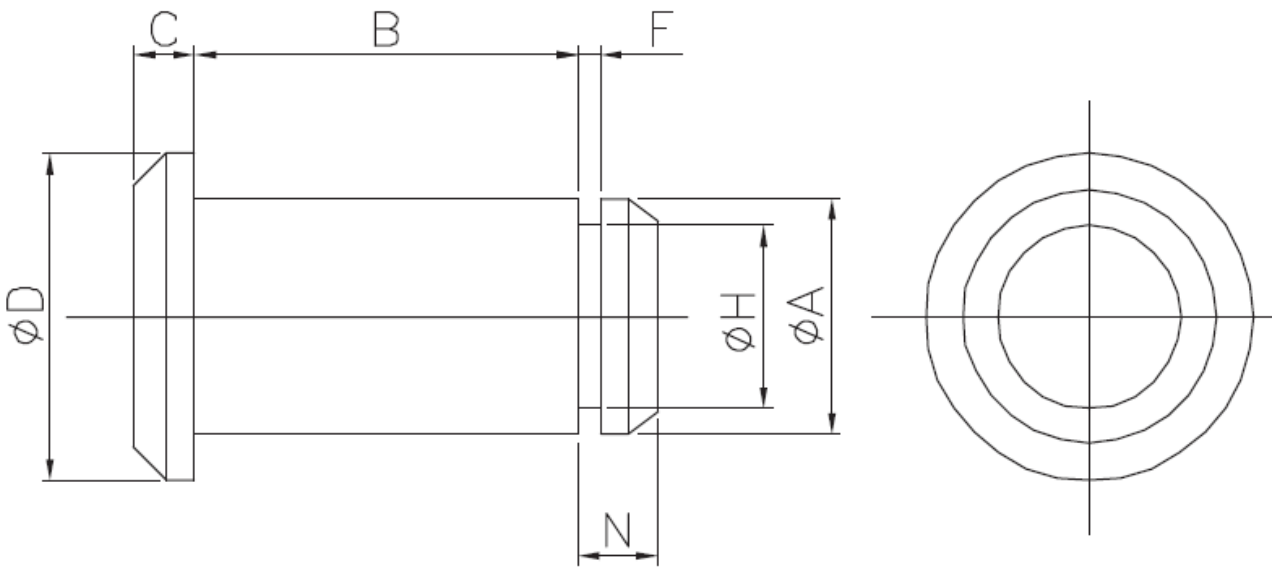
CLEVIS SPRING PIN:



Part No.	A	B	C	D	E	F
XLSP5	5.0	13.5	12.0	5.5	23.0	19.0
XLSP5					33.0	29.0
XLSP6	6.0	16.0	14.0	6.5	28.0	23.0
XLSP6					40.0	35.0
XLSP8	8.0	21.5	19.0	8.0	36.5	30.0
XLSP8					52.0	46.0
XLSP10	10.0	26.0	23.0	10.0	45.0	38.0
XLSP10					65.0	58.0

- Zinc plated with trivalent passivation
- Feather : Spring Steel
- Pin : EN1A Steel

CLEVIS PIN:



PART NO.	$\varnothing A$	B	C	$\varnothing D$ STK	F	$\varnothing H$	N
XLP5	5.0	10.5	1.5	5.0	0.84/0.64	4.1/3.9	2.6/2.4
XLP6	6.0	12.5	1.5	6.0	0.84/0.65	5.1/4.9	3.1/2.9
XLP8	8.0	16.5	2.0	8.0	1.04/0.84	6.1/5.9	3.6/3.4
XLP10	10.0	20.5	2.0	10.0	1.15/0.95	8.2/7.8	4.6/4.4

- Zinc plated with trivalent passivation